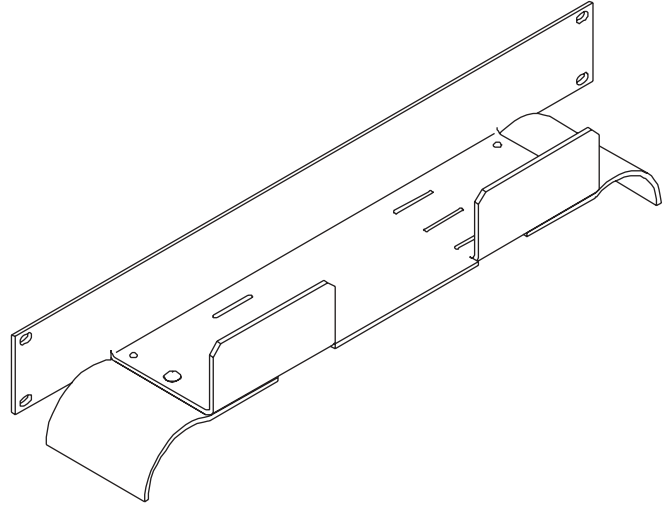


# Product Information Sheet

## 6" DEEP UPPER JUMPER TRAY

The CPI Jumper and Transition Trays aid in compliance with ANSI/TIA/EIA-568B bend radius requirements. Slotted holes allow bend radius location to be user adjustable. Mounting screws not included. Sold individually

- > Provides 1 1/2" bend radius for compliant installation of Category 5/5e/6 or fiber cable
- > Telescopes to adjust cable entry or exit position
- > Mounts on 19" or 23" rack. May also be wall mounted
- > Strong lightweight aluminum construction



6" Deep Upper Jumper Tray			
Part Number		Color	Shipping Weight
19"	23"		
13183-119	13183-123	Gray	3 lb
13183-219	13183-223	White	3 lb
13183-319	13183-523	Clear	3 lb
13183-719	13183-723	Black	3 lb



800-834-4969 in US & Canada • [www.chatsworth.com](http://www.chatsworth.com)