

RY-PA-10/A

10 Relay Adaptor

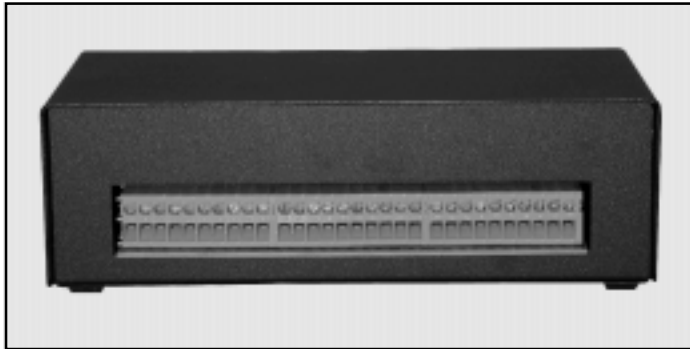
DESCRIPTION:

The RY-PA-10/A is a relay adaptor designed with 10 relay contacts for use with the LEF, LDF and NDR systems. The relays can be wired for momentary or maintained activation. Outputs can be wired for Normally Open (N/O) and/or Normally Closed (N/C) contacts.

The RY-PA-10/A is ideal for systems providing selective door release, CCTV camera call-up or a combination of both. Inputs and output terminals are clearly labeled for ease of wiring.

FEATURES:

- Ten relays built into one unit for easy installation
- Can be used with LEF, LDF and NDR systems
- Relays are individually controlled with momentary or maintained inputs
- Normally Open and Normally Closed outputs available for each relay
- Electric strikes or maglocks can be used for selective door release applications
- Each relay can be used for both camera call-up and selective door release

RY-PA-10/A**SOME APPLICATIONS:**

Multiple door entry or CCTV surveillance for a variety of applications:

- Offices
- Secured Departments within a Commercial or Institutional Facility
- Hotel and Motel Entries
- Medical Offices
- Gated Entries

**SPECIFICATIONS:**

Power: Provided by system
Relay Contacts: 0.6A at 125V AC; 2A at 30V DC.
Wiring: RY-PA-10/A to Master: 1 common wire plus 1 wire for momentary contact, 1 for maintained.
RY-PA-10/A to Strike or Switcher: 2 conductors per contact
Wiring Distance: Max. 65' from master station with 22AWG wire
Mounting: Shelf mount
Dimensions: 2-11/16"H x 8-1/16"W x 3-15/16"D

RY-PA-10/A 10 Relay Adaptor

The RY-PA-10/A is used with the following systems

SPECIAL ORDER PRODUCTS:

NDR Series:

Master Stations

NDR-10	10-call Master w/selective outputs
NDR-10A	10-call Mstr. w/hndst. & sel.outputs
NDR-20	20-call Master w/selective outputs
NDR-20A	20-call Mstr. w/hndst. & sel.outputs
NDR-30	30-call Master w/selective outputs
NDR-30A	30-call Mstr. w/hndst. & sel.outputs
NDR-40	40-call Master w/selective outputs
NDR-40A	40-call Mstr. w/hndst. & sel.outputs

Add-on Selectors

ND-20AS	20-call Add-on selector w/sel.outputs
ND-40AS	40-call Add-on selector w/sel.outputs

LDF Series:

Master Stations

LDF-20C	20-call Master station
LDF-20CA	20-call Master station w/handset
LDF-40C	40-call Master station
LDF-40CA	40-call Master station w/handset

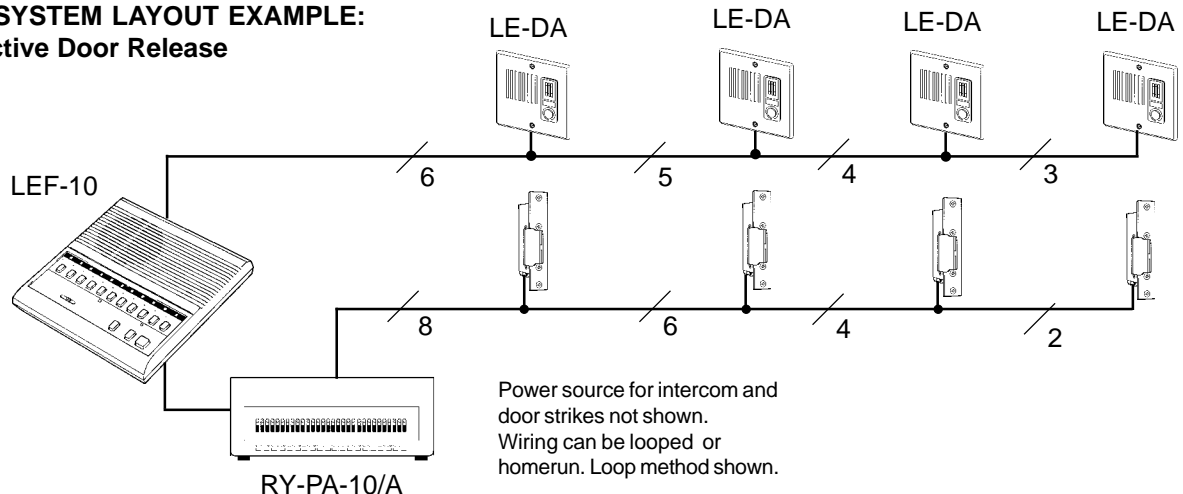
Add-on Selectors

LD-20AS	20-call Add-on selector
LD-40AS	40-call Add-on selector

STOCK PRODUCTS:

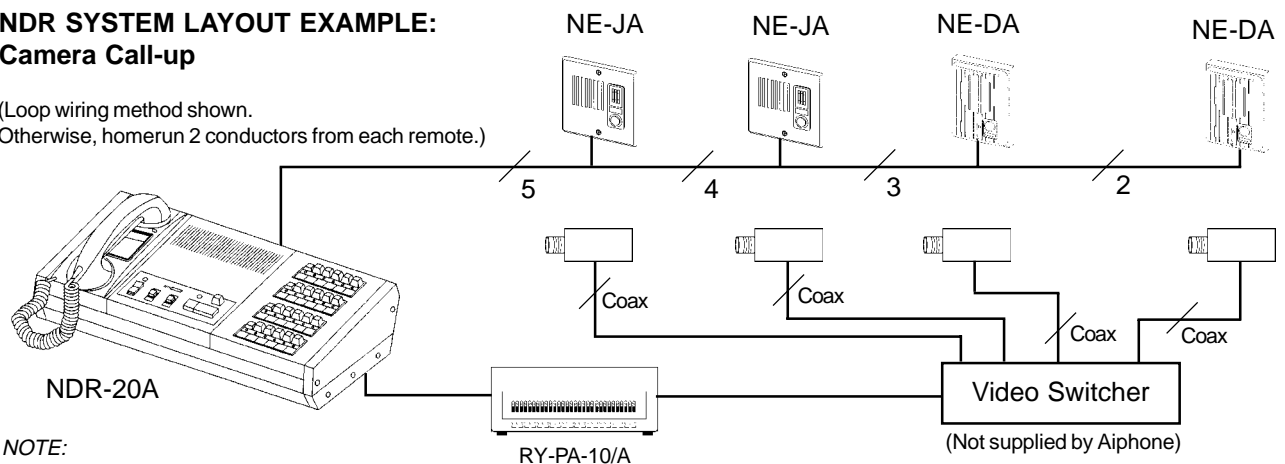
LEF-10	10-call Master station
LEF-10S	10-call Master station w/All Call btn.
LEF-10C	10-call Master station, semi-flush

LEF SYSTEM LAYOUT EXAMPLE: Selective Door Release



NDR SYSTEM LAYOUT EXAMPLE: Camera Call-up

(Loop wiring method shown.
Otherwise, homerun 2 conductors from each remote.)



NOTE:
Power sources for intercom and cameras not shown.