



wheelock INC.

Helping People Take ActionSM

Description:

Wheelock Series MIZ piezoelectric Mini Horns are compact electronic alarm appliances that are listed under UL Standard 464 for Audible Appliances in Public Mode Fire Protection Systems. The Series MIZ-24S models provide a field selectable Continuous or Code 3 horn tone when connected directly to a fire alarm control panel. They can also provide a synchronized code 3 horn tone using the Wheelock SM, DSM Sync Modules or PS-12/24-8CP and PS-12/24-8MP Power Supplies. The series MIZ appliances are attractive, offer high sound output along with low current draw and are ideal for alarm signaling in individual rooms, apartments, hotels, motels and offices. Color choices of red or off-white will blend with any décor.

**SERIES MIZ-24S MINI HORN
TEMPORAL (CODE 3) OR
CONTINUOUS TONE**



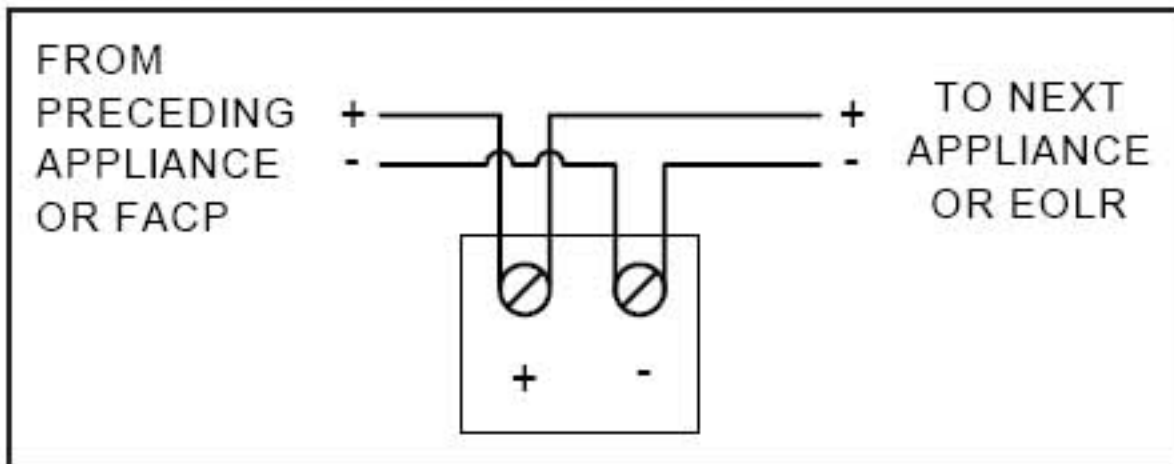
SERIES MIZ

Applications:

- Individual Rooms
- Apartments
- Hotels
- Motels
- Offices



Wiring Diagrams (for all models)



Features:

- Approvals include: UL Standard 464, California State Fire Marshal (CSFM), New York City (MEA), Factory Mutual (FM), and Chicago (BFP)
- Field selectable settings for Temporal (Code 3) or Continuous Horn
- Synchronized code 3 horn when used with Wheelock's Sync Module
- Designed to meet or exceed NFPA/ANSI standards
- Convenient mounting to any standard single-gang box
- Beauty plugs to cover mounting screws
- No additional trimplate required for flush mounting
- Fast installation with In/Out screw terminals using #12 to #18 AWG
- High sound output with low current draw
- Available in red or off-white color

Specifications and Ordering Information

Model	Order Code	Description	Mounting Options**	Agency Approvals				
				UL	MEA	CSFM	FM	BFP
MIZ-24S-R	8485	24 Volt, Red	B	X	X	X	X	*
MIZ-24S-W	8484	24 Volt, White	B	X	X	X	X	*

*PENDING

**Refer to Data Sheet S7000 for Mounting Options.

General Notes:

- Mini Horn models are Listed for indoor use with a temperature range of 32° F to 120° F (0° C to 49° C) and maximum humidity of 93% RH ±2%.
- Rated Input voltage (either filtered DC or unfiltered full-wave-rectified FWR): 16-33 VDC (for 24 VDC MIZ-24S models)