

34cm (13") Color AV Monitor **WV-CM1420**

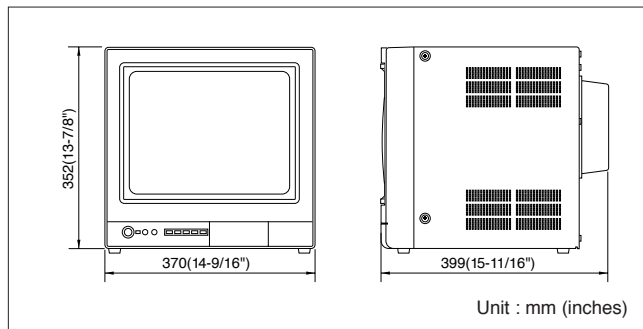


- 34cm (13") diagonal actual visual size.
- 370 TV lines h.resolution.
- Selectable 2 channels A/B.
- Max. 0.5W speaker output.
- Optional adaptor WQ-LM140 for EIA 19-type rack.

WQ-LM140 (Optional)



DIMENSIONS



SPECIFICATIONS

Power Source	120 V AC, 60 Hz
Power Consumption	60 W (Approx.)
Input/Output	Video (Input: 2 / Output: 2) -- BNC; 1.0 V [p-p] composite / 75 Ω or Hi-z looping through Audio--RCA; 1 Input / 1 Output
TV System	NTSC
Horizontal Resolution	370 lines at center
PS-Data Link Connector	No
Sweep Linearity	Less than 5%
Sweep Geometry	Less than 2%
Overscanning	8%
Actual Visual Size (Approx.)	34 cm (13") diagonal
CRT Size (Approx.)	37 cm (14") diagonal
19-type Rack-Mount	△ Yes
Ambient Operating Temperature	-10°C - +50°C (+14°F - +122°F)
Ambient Operating Humidity	Less than 90%
Speaker Output	0.5 W
Dimensions (W x H x D)	370 x 352 x 399 mm (14-9/16" x 13-7/8" x 15-11/16")
Weight	13 kg (28.7 lbs.)

△: with optional rack angle bracket.

22cm (9") Color AV Monitor **WV-CM1020**

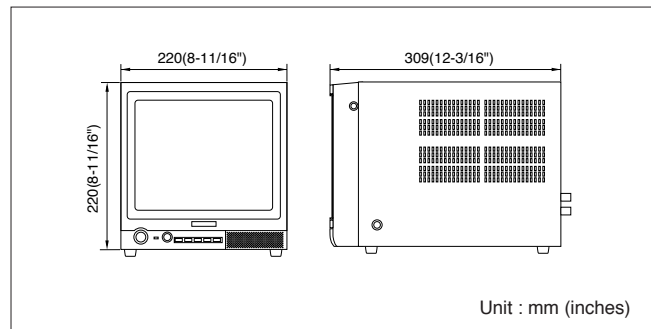


- 22cm (9") diagonal actual visual size.
- 300 TV lines h.resolution.
- Selectable 2 channels A/B.
- 2 loop through video/audio connectors.
- Max. 0.5W speaker.
- Optional adaptor WV-Q52A for EIA 19-type rack (up to two monitors).

WV-Q52A (Optional)



DIMENSIONS



SPECIFICATIONS

Power Source	120 V AC, 60 Hz
Power Consumption	48 W (Approx.)
Input/Output	Video (Input: 2 / Output: 2) -- BNC; 1.0 V [p-p] composite / 75 Ω or Hi-z looping through Audio--RCA; 1 Input / 1 Output
TV System	NTSC
Horizontal Resolution	300 lines at center
PS-Data Link Connector	No
Sweep Linearity	Less than 5%
Sweep Geometry	Less than 2%
Overscanning	8%
Actual Visual Size (Approx.)	22 cm (8-3/4") diagonal
CRT Size (Approx.)	25 cm (9-13/16") diagonal
19-type Rack-Mount	△ Yes
Ambient Operating Temperature	-10°C - +50°C (+14°F - +122°F)
Ambient Operating Humidity	Less than 90%
Speaker Output	0.5 W
Dimensions (W x H x D)	220 x 220 x 309 mm (8-11/16" x 8-11/16" x 12-3/16")
Weight	6.5 kg (14.3 lbs.)

△: with optional rack angle bracket.