

19" Rack-Mount Surge Protective Devices

DESCRIPTION	CAT. NO.	RATING
With ON/OFF Switch, NEMA 5-15P St. Blade Plug	5500-190	15A 125V
Without ON/OFF Switch, NEMA 5-15P St. Blade Plug	5500-15N	15A 125V
With ON/OFF Switch, NEMA L5-15P Locking Plug	5500-15L	15A 125V
Without ON/OFF Switch, NEMA L5-15P Locking Plug	5500-NL	15A 125V
With ON/OFF Switch, NEMA 5-20P St. Blade Plug	5500-192	20A 125V
With ON/OFF Switch, NEMA 5-15P St. Blade Plug	5505-190	15A 125V
Without ON/OFF Switch, NEMA 5-20P St. Blade Plug	5500-20N	20A 125V
With ON/OFF Switch, NEMA L5-20P Locking Plug	5500-20L	20A 125V
Without ON/OFF Switch, NEMA L5-20P Locking Plug	5500-2NL	20A 125V

General Data

SPECIFICATION	5500-190, 5505-190, 5500-15N, 5500-15L, 5500-NL	5500-192, 5500-20N, 5500-20L, 5500-2NL
Rated line voltage (VRMS)	120V	120V
Load current	15A	20A
Max. continuous operating voltage	135V	135V
Operating frequency range	50, 60Hz	50, 60 Hz

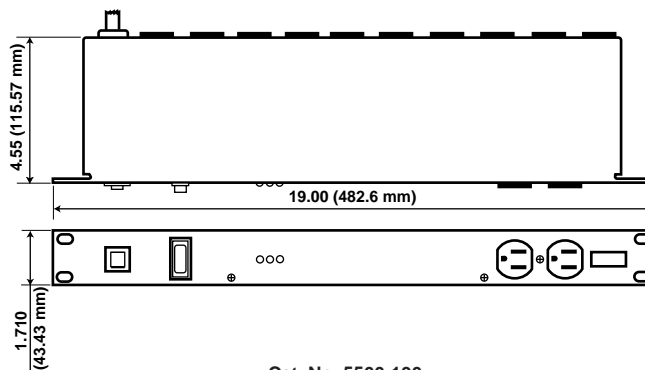
Performance Data

SPECIFICATION	5500 SERIES	5505 SERIES
Max. single-pulse transient current (8x20µs, Amps peak)	52kA	10kA
Rated single-pulse transient energy (10x1000µs, Joules)	1440 Joules	540 Joules
Noise Rejection @ 100kHz – 30MHz	-5 to -40dB	-5 to -40dB
UL 1449 (2nd Ed) Impulse 6kV/500A	330/330/330	400/400/400

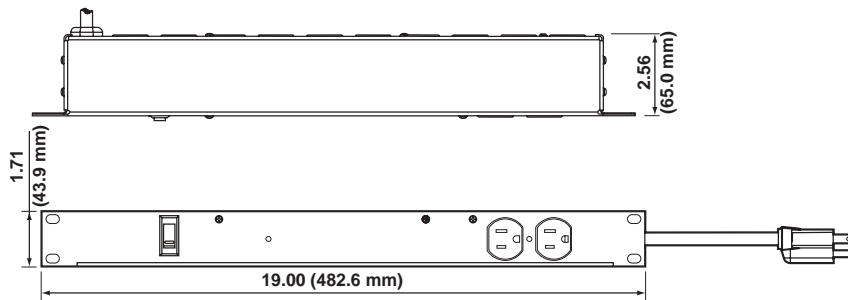
All devices are UL Listed and CSA Certified.



5500-190



Cat. No. 5500-190



Cat. No. 5505-190

SPECIFICATIONS & FEATURES

19" Rack Mount SPD's

- Mounts on 19" equipment racks to provide point-of-use surge suppression for electronic equipment
- Clamping profile tightly tracks AC sine wave
- 6 protected duplex receptacles-5 in back, 1 in front
- Available with easy-access ON/OFF rocker-style switch, or without switch to avoid unnecessary equipment switching
- Resettable circuit breaker protects against overloading & power supply failure
- Provided with 12-ft line cord with either NEMA 5-15P, L5-15P, 5-20P or L5-20P plug

TESTING & CODE COMPLIANCE

19" Rack Mount SPD's

- UL Recognized Component tested to UL 1449 standards
- Covered by a Lifetime Limited Downline Warranty

MATERIAL CHARACTERISTICS

Operating Temperature: -10°C to 60°C
Storage Temperature: -35°C to 60°C

