

Sold by:



### General Purpose Plug-Ins

| DESCRIPTION  | CAT. NO. | RATING   |
|--|----------|----------|
| 6-Outlet Plug-in w/Power & Circuit Monitor Lights UL 1449 (All Modes) 400V   | 3500-P   | 15A 120V |
| 6-Outlet Plug-in w/two RJ11 Phone Jacks, 6 ft. Phone Cord, Power & Circuit Monitor Lights UL 1449 (All Modes) 400V       | 3500-PT  | 15A 120V |
| 6-Outlet Plug-in w/two F Coax Cable Connectors, 4 ft. Coax Cable Power & Circuit Monitor Lights UL 1449 (All Modes) 400V | 3500-PC  | 15A 120V |

### 51110 Series Residential Surge Protector Panels

| DESCRIPTION   | CAT. NO.  | RATING      |
|---|-----------|-------------|
| 1-Phase, 3-Wire & Ground  | 51110-1   | 120/240V AC |
| Multimedia Panel: 1-Phase, 3-Wire & Ground with two pairs of phone/fax/modem terminals and CATV/Satellite F-Connectors  | 51110-PTC | 120/240V AC |
| Multimedia Panel: 1-Phase, 3-Wire & Ground with four pairs of phone/fax/modem terminals and CATV/Satellite F-Connectors | 51110-CT8 | 120/240V AC |

### 51120 Series Branch Panel SPD's

| DESCRIPTION  | CAT. NO.  | RATING      |
|--|-----------|-------------|
| 1-Phase, 3-Wire & Ground   | 51120-1   | 120/240V AC |
| 3-Phase WYE, 4-Wire & Ground   | 51120-3   | 120/208V AC |
| 1-Phase, 3-Wire & Ground; NEMA 3R Outdoor Enclosure                                  | 51120-3R  | 120/240V AC |
| 1-Phase, 3-Wire & Ground; with RJ11 Telephone and F-Connector CATV/Satellite Modules | 51120-PTC | 120/240V AC |



### Surge Protector Panel Performance Specifications

| CAT. NO.  | MCOV     | UL 1449 (2nd Ed) IMPULSE (6kV/500A) |           | MAX. SURGE CURRENT (Test w/8x20µs wave) |
|-----------|----------|-------------------------------------|-----------|---|
|           |          | L-N: 400V                           | L-L: 800V |   |
| 51110-1   | 150 V AC | L-N: 400V                           | L-L: 800V | L-N: 80kA                               |
| 51110-PTC | 150V AC  | L-N: 400V                           | L-L: 800V | L-N: 80kA                               |
| 51110-CT8 | 150V AC  | L-N: 400V                           | L-L: 800V | L-N: 80kA                               |
| 51120-1   | 150V AC  | L-N: 500V                           | L-L: 800V | L-N: 50kA                               |
| 51120-3   | 150V AC  | L-N: 500V                           | L-L: 800V | L-N: 50kA                               |
| 51120-3R  | 180V AC  | L-N: 800V                           |           | L-N: 50kA                               |
| 51120-PTC | 150V AC  | L-N: 500V                           | L-L: 800V | L-N: 80kA                               |

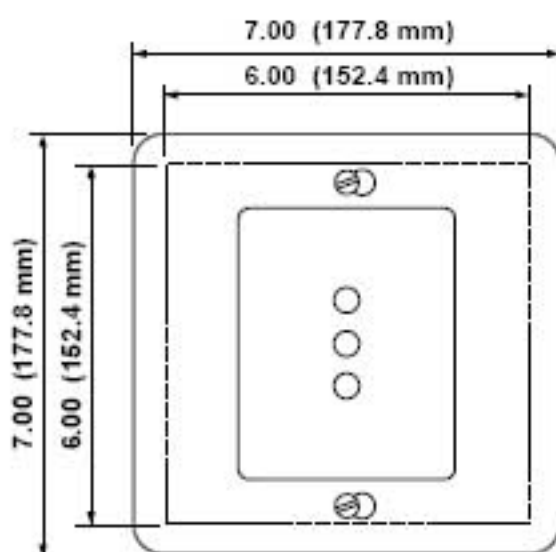
All devices are UL Listed and CSA Certified.

### SPECIFICATIONS & FEATURES

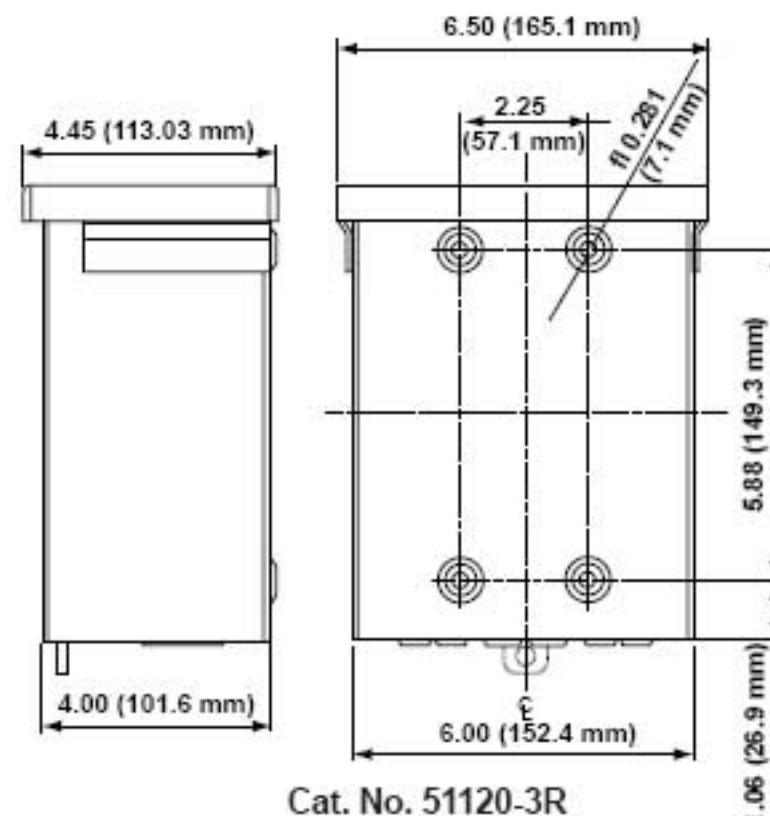
- General Purpose Plug-Ins**
- RFI filtering
  - 3-stage protection: hot-to-neutral, hot-to-ground, neutral-to-ground
  - Built-in fuse protection
  - Monitor lights ON indicates circuit is powered & protected
- 51110 Series**
- 51110-PTC provides protection for 2 telco lines and 2 coax feeds
  - 51110-CT8 provides protection for 4 telco lines and 2 coax feeds
  - Compatible with Decora Home Controls (see Section B)
- 51120 Series**
- Standard J-Box metal enclosures with pre-punched knockouts; 51120-3R features NEMA 3R enclosure
  - Compatible with Decora Home Controls (see Section B)

### TESTING & CODE COMPLIANCE

- UL Listed 1449
- Meets ANSI/IEEE C62.41 & C62.45 requirements for Categories A, B & C
- Backed by a Limited 10-Year Warranty
- **51110 Series:** CUL/US Certified
- **51120 Series:** UL Listed and CSA Certified



Cat. No. 51120-1



Cat. No. 51120-3R