

Equipment Cabinet Surge Protection Modules 3800 Series

DESCRIPTION	CAT. NO.	RATING
For DIN-Rail Mounting, w/Terminal Block; 120V AC	3800-DIN	120V AC (VRMS)
Terminal Block; 120V AC	3800-OWM	120V AC (VRMS)
Pigtail Wire Leads, 6" long; 120V AC	3800-OEM	120V AC (VRMS)
For DIN-Rail Mounting, w/Terminal Block; 12V DC	3812-DIN	12V DC
Terminal Block; 12V DC	3812-OWM	12V DC
Pigtail Wire Leads; 6" long; 12V DC	3812-OEM	12V DC
For DIN-Rail Mounting, w/Terminal Block; 24V DC	3824-DIN	24V DC
Terminal Block; 24V DC	3824-OWM	24V DC
Pigtail Wire Leads; 6" long; 24V DC	3824-OEM	24V DC
For DIN-Rail Mounting, w/Terminal Block; 240V AC	3840-DIN	240V AC (VRMS)
Terminal Block; 240V AC	3840-OWM	240V AC (VRMS)
Pigtail Wire Leads; 6" long; 240V AC	3840-OEM	240V AC (VRMS)
For DIN-Rail Mounting, w/Terminal Block; 48V DC	3848-DIN	48V DC
Terminal Block; 48V DC	3848-OWM	48V DC
Pigtail Wire Leads; 6" long; 48V DC	3848-OEM	48V DC

Clamping Performance and Performance Specification

CLAMPING PERFORMANCE	CAT.NO. 3800	CAT.NO. 3840
UL Standard 1449 permanently-wired test (8x20µs, 3000A)	L-N: 500V Peak	L-N: 330V Peak
	L-G: 500V Peak	L-G: 400V Peak
	N-G: 500V Peak	N-G: 330V Peak

PERFORMANCE SPECIFICATION	CAT.NO. 3800	CAT.NO. 3840
Max. Single-Pulse Transient Current (8X20µS, Impulse)	L-N: 1300A L-G: 6500A N-G: 6500A	L-N: 1300A L-G: 6500A N-G: 6500A

Consult factory for detailed performance data for other models.

Equipment Cabinet Surge Protection Receptacles

DESCRIPTION	CAT. NO.	RATING
Hospital Grade Duplex Receptacle	3880-DIN	15A-120V @ 50, 60Hz
Single Convenience Outlet	3801-DIN	15A-120V @ 50, 60Hz

Performance Data (3880-DIN, 3801-DIN)

CLAMPING VOLTAGE*	MCOV†	MAX. SINGLE PULSE TRANSIENT CURRENT (8X20µs, Amps peak)	EMI-RFI NOISE REJECTION @50 ohms 5kHz-5MHz
400/400/400V pk	150Vrms	24kA(L-N), 12kA(L-G/N-G)	-35dB

*UL 1449 Suppressed Voltage Ratings (SVR) Assigned at 6" length with 6k/500A per UL 1449 (2nd Ed.)

†Maximum Continuous Operating Voltage.

All devices are UL Recognized and CSA Certified.

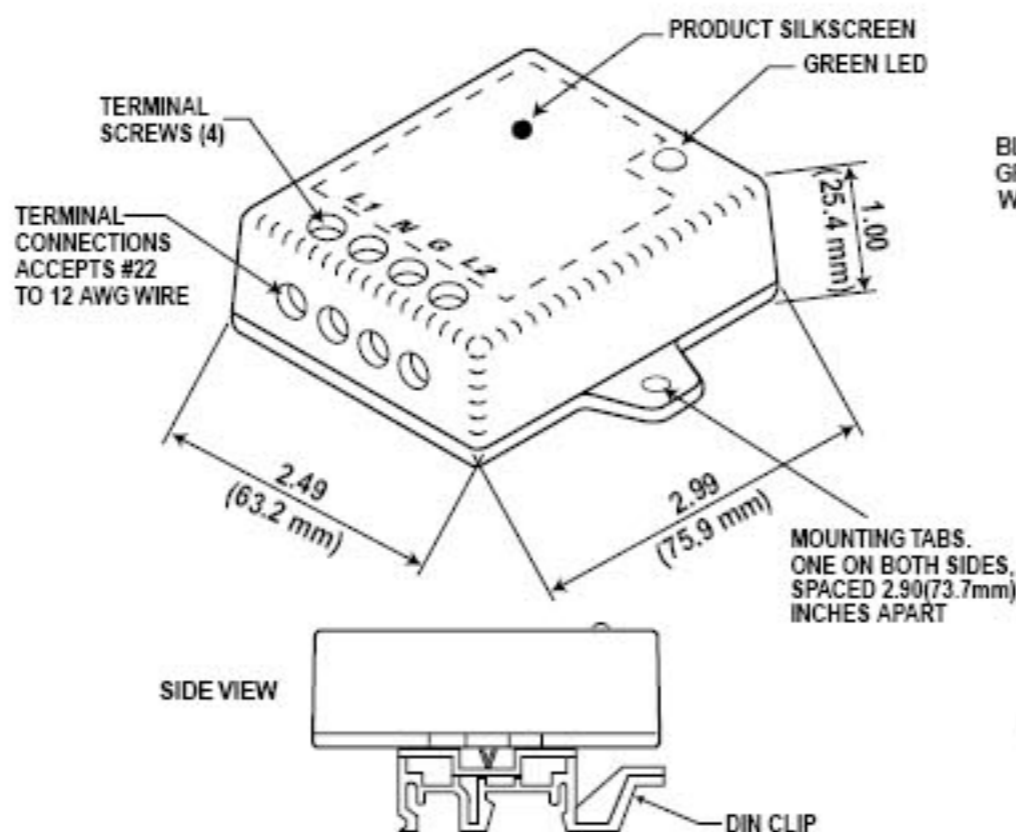
SPECIFICATIONS & FEATURES

- 3800 Series**
- MOV-based suppression circuitry provides optimum clamping
 - Provides Normal Mode protection for line-to-neutral & common mode; line-to-ground & neutral-to-ground
 - Noise rejection @ 5kHz-5MHz: -35db
 - 3800: 135V (MCOV); 3840: 250V (MCOV)
 - 3800-DIN, 3800-OWM: Terminal block accepts 22 AWG to 12 AWG conductors
 - Consult factory on additional ratings on 3812, 3824 & 3848
- 3880-DIN & 3801-DIN**
- Ideal for mounting in equipment cabinets where convenient plugin surge protection is desired
 - Green LED indicates surge protection loss
 - Audible alarm w/integral disable (quiet) switch
 - Power continues to be provided to loads in the event of protection loss
 - Terminal Block accepts #22-#12 AWG conductors

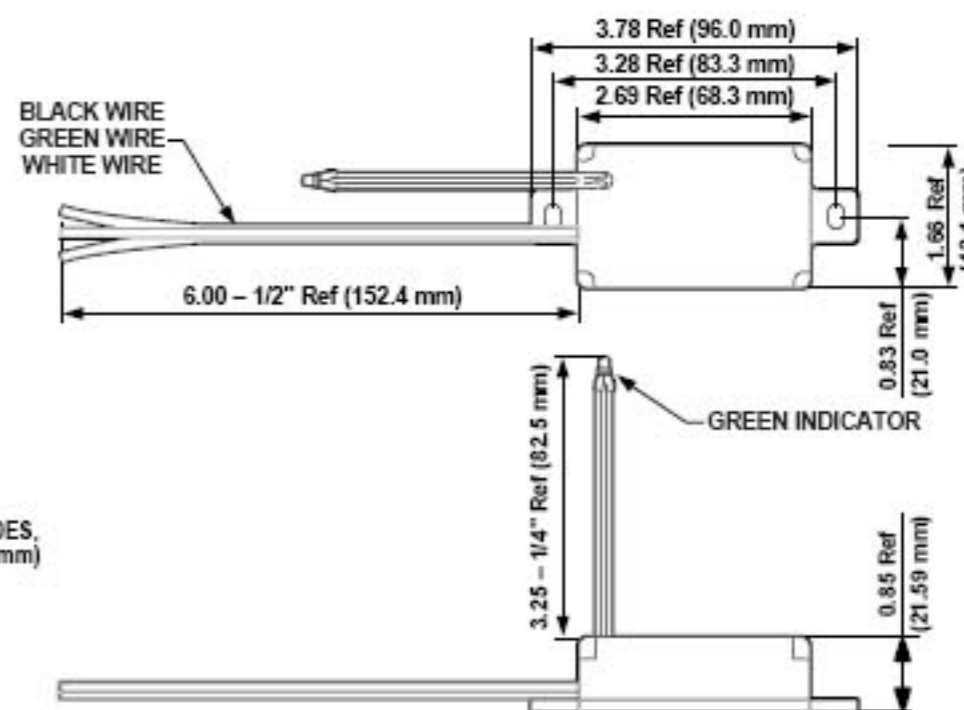
- TESTING & CODE COMPLIANCE**
- Recognized to UL 1449 (E146315/DC-E175161)
 - CSA Certified (#LR-94773)
 - Meets ANSI/IEEE C-62.41 & C-62.45 Categories A, B & C (B & C ONLY for Cat Nos. 3880-DIN & 3801-DIN)
 - Backed by a Limited 10-Year Warranty

MATERIAL CHARACTERISTICS

Operating Temperature: -10°C to 60°C
Storage Temperature: -20°C to 85°C



Cat. No. 3840-DIN



NOTE: ALL DIMENSIONS ARE FOR REFERENCE ONLY REFER TO PART DRAWINGS FOR SPECIFICATIONS

Cat. No. 3848-OEM