

Touch-N-Talk

User Guide

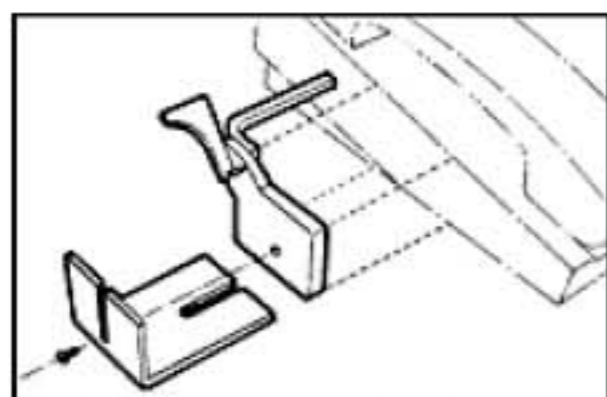
Item No. 1275

Thank you for purchasing this Touch-N-Talk from Hello Direct.

Since your headset simply replaces your handset, not your complete telephone, you still place and receive calls using your telephone like you always have. That means that unless you have a headset input on your phone, you must move your handset off hook to get a dialtone or answer a call with your handset.

What do you do with your handset once you've moved it off hook? Do you search for a place for it on your desk? Or balance it over the cradle, hoping you won't accidentally bump it and hang up your call?

Your new Touch-N-Talk solves the problem. With the pull of a lever, Touch-N-Talk will raise your handset off hook without removing it from the cradle. You'll like having this new convenience to make placing and receiving calls with your telephone headset easier than ever.



Attaching your Touch-N-Talk to your phone

You can attach your Touch-N-Talk to your phone using either the Velcro® or small screw on bracket we've included—or use both fasteners together.

Note: Before you attach it, you'll want to make sure you've positioned it correctly to work with your telephone.

To do this, first slide your Touch-N-Talk up next to your phone until the lift rod handle is lined up flush with your phone (next to the earpiece on your handset).

Attaching the Touch-N-Talk lever to your phone

This should be done while your Touch-N-Talk is in the DOWN position (pushed all the way to the back.)

Next, holding the Touch-N-Talk in place, pull the lever forward to the UP position until the handset receiver is lifted off the switchhook.

Move the Touch-N-Talk up, down, backward, or forward until it's satisfactorily positioned.

Then, go ahead and *carefully* stick the Velcro® into place.

If the Touch-N-Talk does not properly support your phone when it's secured with Velcro®, add the small bracket. The bracket can be positioned with either the long or short side down. Both sides are slotted to allow for a full range of adjustments.

If necessary, you can further secure your Touch-N-Talk by attaching the bracket to the underside of your phone with the small Velcro® tabs we've enclosed.

Limited 1-Year Warranty