

Indoor/Outdoor B&W Camera With Built-In Modulator

Indoor / Outdoor B&W Camera

APPLICATION

The Indoor / Outdoor Camera allows monitoring of front doors, back yards or anywhere an extra eye is desirable. Uses a single coax cable for power and video.

PHYSICAL SPECIFICATIONS

Camera Lens:	3.6 mm
Resolution:	350+ lines
Min Illumination:	0.7 Lux F2.0
Output Frequency:	UHF 14-69, CATV 70-94, 100-125
Modulation Method:	Digital Crystal PLL
Output Level:	27 dBmV
Output Connector:	75 Ohm F-Connector
Cable Type:	RG59, RG6 or better
Power Requirement:	12V DC, 300mA
Size:	5.5" x 4.5" (Base)
Weight:	1 lb.
Temperature Range:	-10 to 45 Degrees Celsius 14 to 113 Degrees Fahrenheit

DESIGN CONSIDERATIONS

- One-wire installation - power and video share one coax
- Infinite adjustable camera position
- Weatherproof aluminum case screws into any standard electrical base
- Mounts easily on walls or ceilings
- Includes power injector and power supply
- Black and White camera sees in low-light conditions

WARRANTY INFORMATION

- One-year limited product warranty standard.



FC Tested To Comply
With FCC Standards

TYPICAL SPECIFICATIONS

The Camera shall operate indoors or outdoors and incorporate manual 360° horizontal adjustment, 180° vertical adjustment. It .The camera output is set by a dip-switch inside the camera housing. The manufacturer shall provide a one-year limited product warranty.

PART NUMBERS

Indoor/Outdoor Camera with built-in Video Modulator

48213-BMC

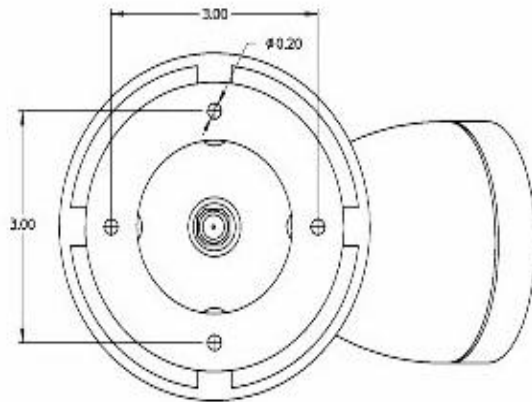
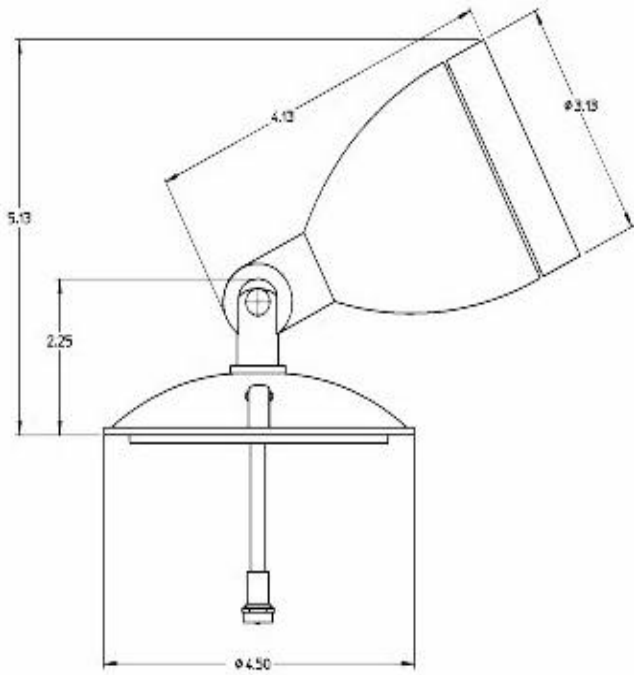


For Applications Engineering Support – Call 1-800-824-3005 in USA, Fax: 1-800-832-9538
Spec sheets and updates are also available at www.leviton.com/lin



Component Specifications

48213-BMC



For Applications Engineering Support – Call 1-425-824-3005 in USA, Fax 1-800-832-9538.
Spec sheets and updates are also available at www.levitonvoicedata.com.

59-25 Little Neck Parkway, Little Neck, NY 11362 • Tel: 1-800-323-8920 • Fax: 1-800-832-9538

