

Cable Kit, 10-Foot Model CK10



Description

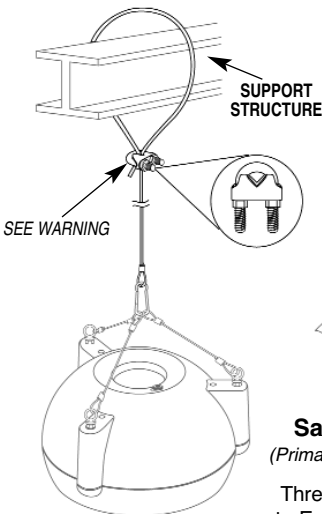
The CK10 is a 10-foot long Cable Kit. The kit can be used either as a main suspension drop cable or as a safety cable.

Contents

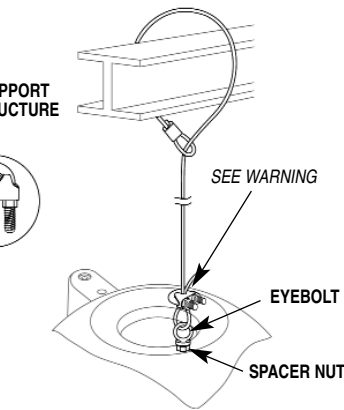
10-foot long Cable w/fixed loop, Cable clamp, Eyebolt, Spacer Nut, Instruction Sheet

Installation

The cable can be secured to the speaker and the building structure in a variety of ways. Below are three common approaches. The support structure **MUST** be able to support 100 lbs. to provide adequate safety margin.

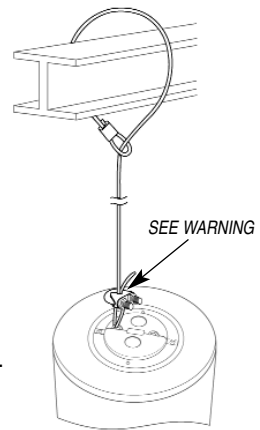


**Pendant
Drop Cable**



Safety Cable for Pendant
(Primary Suspension Cables not shown)

Thread Spacer Nut completely on to Eyebolt, then thread the Eyebolt into Safety Point. Tighten securely (but do not over-tighten).



**Seismic Tether
for
Ceiling Speaker**

WARNING

CABLE CLAMPS MUST BE SECURELY TIGHTENED. FAILURE TO DO SO MAY RESULT IN PROPERTY DAMAGE, INJURY OR DEATH, AND LEGAL LIABILITY TO YOU AND YOUR BUSINESS.