

DP70

Industrial Desk Telephone



Guardian's DP70 Industrial Desk Telephone is rugged and is dust & corrosion resistant.

Features

- water resistant membrane keypad for added hygiene and resistance to fluids
- heavy duty handset and cord
- magnetic switch with no moving parts for extended life
- encapsulated circuit boards are impervious to water, tropical humidity and mine condensation
- service temperature from -40 to +60°C (-40° to +140°F)
- Kydex 100® faceplate is 94V-0 fire retarding, durable, impact resistant and easy to clean
- rotating the base allows the desk-top telephone to be wall mounted
- electret noise reducing microphone
- volume adjustment and muting
- ten-number memory, redial and recall

Applications

This telephone is designed for use in locations where the humidity or dust level is high such as:

- processing plant offices
- refineries
- chemical plants
- bulk loading facilities
- marine drilling rigs
- pulp & paper mills
- mine offices

Installation and Connectivity

To provide flexibility and potential for growth, telephones are easily and economically connected to any telephone network by standard wiring and components. Voice quality is unaffected when phones are connected within 4,600 meters (15,000 feet) of a main telephone switch accepting single line telephones.

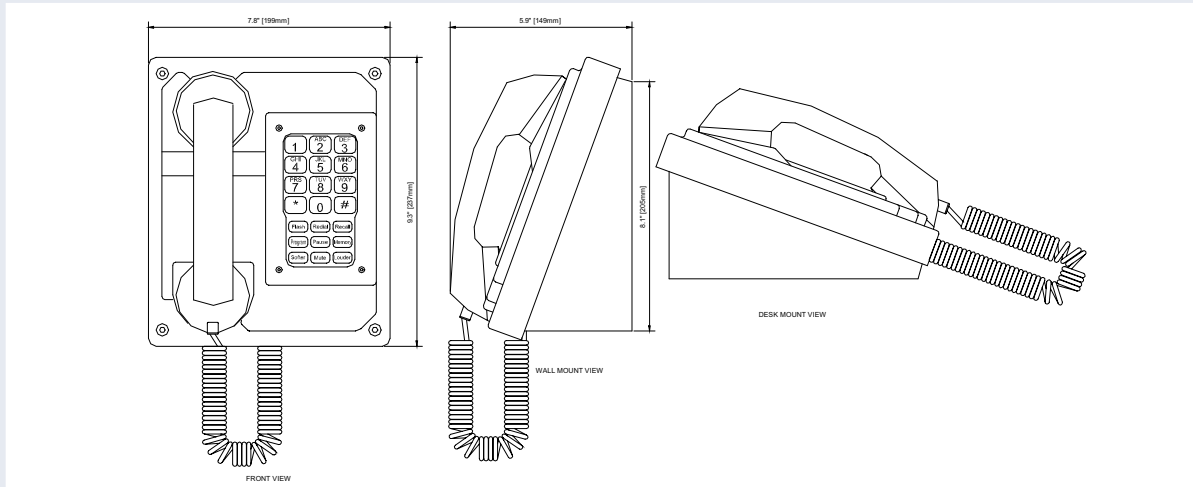
Meeting safety standards may require use of special wiring conduits or other considerations. Telephones are tone/pulse switchable (switch inside telephone). Initial settings are set to tone prior to delivery (unless requested otherwise).



Guardian
Telecom Inc.

ISO 9001 Today's Quality Creates Our Future

OVERALL DIMENSION DETAIL



ENGINEERING SPECIFICATIONS DP70 INDUSTRIAL DESK TELEPHONE

ELECTRICAL PERFORMANCE

Audible range frequency response	300 - 3400 Hz
Dialing method	DTMF or TONE 40/60 pulse at 10 PPS
Transmit Objective Loudness Rating (TOLR)	-41 +/- 3 dB
Receiver volume adjustability	13.5 dB in 2.7 dB steps (3 up and 2 down)
Receive Objective Loudness Rating (ROLR nominal)	50 +/- 3 dB
-receiver volume at maximum	42 +/- 3 dB
-receiver volume at minimum	55.5 +/- 3 dB
Side Tone Objective Loudness Rating (SOLR nominal)	11 +/- 4 dB
-receiver volume at maximum	7 +/- 4 dB
-receiver volume at minimum	14 +/- 4 dB
Memory dial	10 registers of 20 digits each
Flash	600 msec timed disconnect
Mute	press key to mute transmitter
Redial	31 digits maximum
Ringer Output	>80 dB
Ringer Equivalence (REN)	0.8A
Set Impedance	600 ohms nominal
Maximum loop	15Kft (4.6 Km)

ELECTRICAL REQUIREMENTS

Ringer sensitivity	40 - 100 V, 16 - 25 Hz
Line voltage	25 - 56 VDC
Loop current	20 - 120 mA
Connection method	surge arrestor / terminal block

ENVIRONMENTAL

Temperature	-40 to +60°C (-40 to +140°F)
Humidity	0 - 95% RH



Guardian pursues a policy of continuous improvement. Therefore, specifications are subject to change without notice.

MECHANICAL SPECIFICATIONS

Hook switch (cradle switch) life	>1,000,000 operations
Body construction and finish	16 ga steel Zinc Dichromate Plated & Powder Coated Kydex 100®
Faceplate construction	
Dimensions	7.9 x 9.3 x 5.3 in [199 x 237 x 135 mm]
Net Weight	2.5 kg (5.5 lb.)
Handset construction	high impact ABS
Microphone	noise reducing, optional noise canceling
Receiver	hearing aid compatible
Optional mounting	vertical wall
Hardware material	stainless steel

APPROVALS

Industry Canada	1012 6721 A
FCC	HQHCAN-22517-TE-E

Warranty: One year parts and labour.

ORDERING INFORMATION

ORDER NUMBER	DESCRIPTION
P6800	Model DP70 Industrial Desk Telephone



7000 Fisher Road S.E., Calgary, AB T2H 0W3
 Telephone 403.258.3100 Facsimile 403.253.4967
 1.800.363.8010 (North America)
 info@guardiantelecom.com
 www.guardiantelecom.com