

Leviton Spec-Grade Sound™ Indoor and Outdoor Speakers

APPLICATION

Leviton's *Spec-Grade Sound™ Indoor and Outdoor Speakers* combine the latest in top-of-the-line features and technologies with pricing that allows contractors, builders and homeowners to make high-end audio performance a viable installation option for every residential home entertainment venue. When combined with Spec-Grade Sound control and distribution components, they deliver sound quality limited only by the amplifier driving them and the quality of their sound source.

FEATURES

- **Kevlar® composite woofer** – Woofer construction combines exceptional rigidity and lightness to provide the perfect linear movement needed to reproduce dynamic, tight bass and incisive midrange frequencies
- **AeroNylon tweeter diaphragm** – Aerospace-grade nylon tweeter diaphragm combines very low mass and high tensile strength to provide crystal-clear treble response and exceptionally accurate tracking of even the most challenging musical transients
- **AutoSurge™ circuit protection** – Built-in AutoSurge protection responds to potentially destructive power peaks automatically and resets after the event, helping prevent speaker damage
- **Advanced phase/time alignment guide** – A precise phase/time waveguide is used to properly align sound without mis-aligning the tweeters – a problem with many adjustable in-wall speakers – in order to provide extremely accurate stereo imaging
- **Precision dividing network** – The dividing network (or crossover) used in all Spec-Grade Sound speakers is made of high-spec components to ensure total audio signal electronic integrity up to the last microsecond before the signal is converted into sound
- **Inert mounting frame with “dogleg” installation points** – To eliminate any transmitted vibrations that could color in-wall or ceiling sound quality, Spec-Grade Sound speakers rely on a baffle-frame assembly incorporating higher-density plastics and a series of adjustable “doglegs” to rigidly clamp the speaker to the wall or ceiling material

SPECIFICATIONS

6.5-inch Two-Way In-Ceiling Loudspeaker (Cat. No. SGC65-00W)

- 6.5-inch Kevlar composite cone low-frequency transducer
- .5-inch AeroNylon dome high-frequency transducer
- 2-way balanced precision crossover network with AutoSurge circuit protection
- **Frequency Response:** 50-20kHz +/- 3dB
- **Sensitivity:** 87.0 dB SPL @ 1Watt/1 Meter
- **Power Handling:** 120W peak/60W RMS
- **Impedance:** Nominal 8 Ohms/Minimum 6 Ohms
- **Dimensions:** Diameter: 9.02 in/229.2 mm;
Depth: 3.25 in/81.3 mm to rear of baffle

6.5-inch Two-Way In-Wall Loudspeaker (Cat. No. SGI65-00W)

- 6.5-inch Kevlar composite cone low-frequency transducer
- .5-inch AeroNylon dome high-frequency transducer with phase/time alignment guide
- 2-way balanced precision crossover network with AutoSurge circuit protection

Leviton Manufacturing Co., Inc.

59-25 Little Neck Parkway, Little Neck, NY 11362-2591 • Tech Line: 1-800-722-2082 • FAX: 1-800-832-9538

Visit our Website at: www.leviton.com

Kevlar® is a registered trademark of E.I. du Pont de Nemours and Company



**A) Cat. No. SGI80-00W; B) Cat. No. SGI65-00W;
C) Cat. No. SGC65-00W; D) Cat. No. SGO99-00W**

- **Frequency Response:** 50-20kHz +/- 3dB
- **Sensitivity:** 88.0 dB SPL @ 1Watt/1 Meter
- **Power Handling:** 120W peak/60W RMS
- **Impedance:** Nominal 8 Ohms/Minimum 6 Ohms
- **Dimensions:** 12.301 in/302.4 mm H x 9.001 in/218.4 mm W x 3.20 in/72.5 mm D to rear of baffle

8-Inch Two-Way In-Wall Loudspeaker (Cat. No. SGI80-00W)

- 8-inch Kevlar composite cone low-frequency transducer
- 1-inch AeroNylon dome high-frequency transducer with phase/time alignment guide
- 2-way balanced precision crossover network with AutoSurge circuit protection
- **Frequency Response:** 44-20kHz +/- 3dB
- **Sensitivity:** 86.5 dB SPL @ 1Watt/1 Meter
- **Power Handling:** 160W peak/80W RMS
- **Impedance:** Nominal 8 Ohms/Minimum 6 Ohms
- **Dimensions:** 14.20 in/403.3 mm H x 10.25 in/291.3 mm W x 3.52 in/96.7 mm D to rear of baffle

Outdoor/Utility Two-Way Loudspeaker (Cat. No. SGO99)

- 5.25-inch Silicate-fiber cone low-frequency transducer with butyl rubber surround.
- 5-inch Polydome high-frequency transducer
- 2-way balanced precision crossover network with AutoSurge circuit protection
- Element-resistant polypropylene enclosure, gold-plated binding terminals, and aluminum mounting bracket (with stainless-steel hardware)
- **Frequency Response:** 50-20kHz +/- 3dB
- **Sensitivity:** 87 dB SPL @ 1Watt/1 Meter
- **Power Handling:** 120W peak/60W RMS
- **Impedance:** Nominal 8 Ohms/Minimum 6 Ohms
- **Dimension:** 8.50 in/ 215.9 mm H x 6.79 in/172.4 mm W x 6.03 in/153.2 mm D (without bracket)

Product Specifications

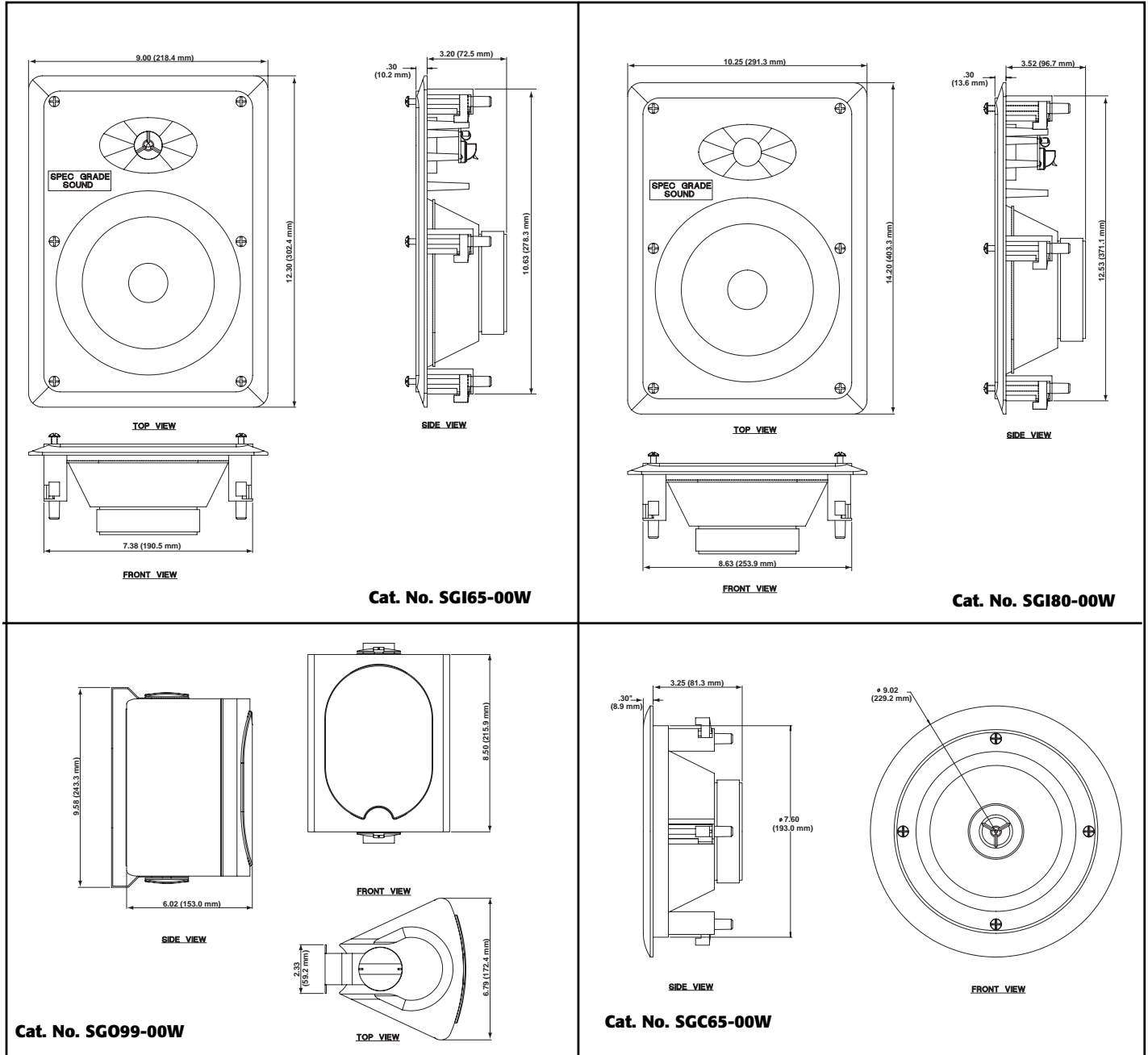


**SGI80-00W, SGI65-00W,
SGC65-00W & SGO99-00W**

ORDERING INFORMATION

Cat. No.	Description - Speakers	Cat. No.	Description - Accessories
SGC65-00W	6.5-inch Two-Way Ceiling Loudspeaker	PCI65-KIT	Rough-in bracket for 6.5" In-wall Loudspeaker
SGI65-00W	6.5-inch Two-Way In-Wall Loudspeaker	PCI80-KIT	Rough-in bracket for 8" In-Wall Loudspeaker
SGI80-00W	8-inch Two-Way In-Wall Loudspeaker	PCC65-KIT	Rough-in bracket for 6.5" Ceiling Loudspeaker
SGO99-00W	Outdoor/Utility Two-Way Loudspeaker		

DIMENSIONAL DRAWINGS:



Leviton Manufacturing Co., Inc.
59-25 Little Neck Parkway, Little Neck, NY 11362-2591 • Tech Line: 1-800-722-2082 • FAX: 1-800-832-9538

Visit our Website at: www.leviton.com

