

# DALI Lighting Controls

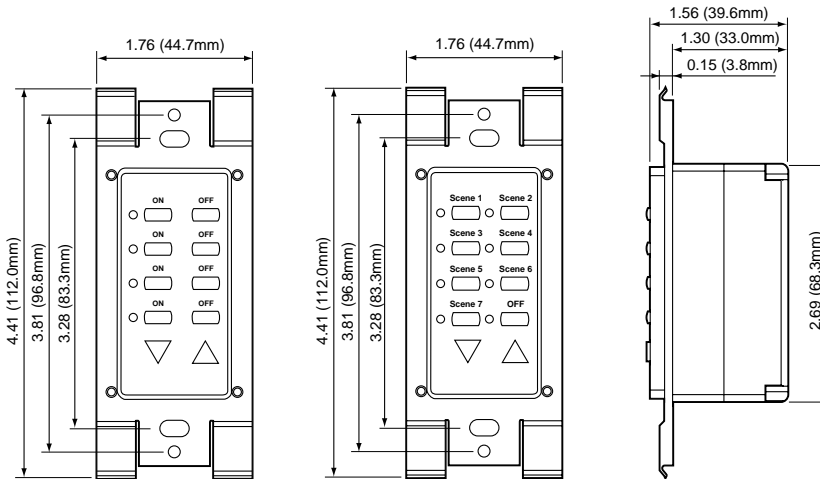
## DALI Controller

The DALI Wall Mounted Controller is designed to control fluorescent ballasts supporting the Digital Addressable Lighting Interface (DALI specification). For maximum versatility, two individual snap-on control faces are provided with each DALI Controller to allow either ON/OFF Control or Scene Control, and there is also a choice individual or group operating modes. The DALI Loop Power Pack supplies power to a single DALI loop and complements the Wall Mounted Controller.

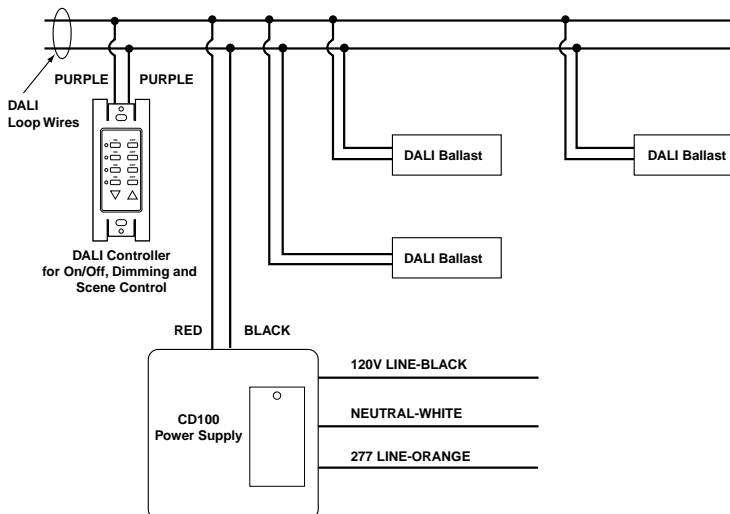
### DALI Controller and Loop Power Pack

DESCRIPTION	CAT. NO.	RATING
<b>DALI Decora-Style Wall Mounted Controller</b> —Comes with two snap-on faces: One for ON/OFF Control (with 4 sets of ON/OFF buttons plus DIM/BRIGHT) and one for Scene Control (with 8 Scene buttons plus DIM/BRIGHT). Each Control Face provides individual of group modes. Color: White.	CD250	For use with DALI compatible ballasts only in a DALI control loop. Input Voltage: 9.5V–22.5V Input Current: 10mA
<b>DALI Loop Power Pack</b> —Supplies power to a single DALI loop. For use with CD250 DALI Dimming/Scene Controller Color: Metallic Silver.	CD100	Input Voltage: 120/277VAC ±10% DALI Output Voltage: 12VDC nominal DALI Output Current: 100mA

**Note:** Only one power supply is used per loop.



Cat. No. CD250 Shown with ON/OFF Face and Scene Control Face



\*DALI Loop wires are polarity independent  
\*Controllers and Power supply can be connected at any point on the Dali Loop

Typical DALI Loop

## SPECIFICATIONS & FEATURES

- Multiple controllers can easily be added to the DALI network to support multiple entry ways
- Versatile controller designed for single office applications or large projects
- Snap-on control face design on Controller to offer a choice ON/OFF or SCENE control, with a choice of individual or group mode operation
- Up and down control buttons allow precise tuning of selected levels
- Makes it easy to program and control intelligent lighting fixtures using ballasts that support the DALI protocol
- Can be used to program a small DALI system without additional programming tools
- CD250 Controller Decora styling enhances any décor.
- CD100 mounts in 4" square electrical box
- Suitable for Class 1 or Class 2 control wiring
- UL Listed, CSA Certified and FCC Part 15
- Backed by a Limited Two-Year Warranty

