

# WRT - 10/20/30/40 FREEDOM SERIES Weather Resistant Telephone

WRT - 40 - MP  
Order# (P6075)  
Metal Keypad



WRT - 10 - MP  
Order# (P6072) Curly Cord  
Telesal keypad



Volume  
Control  
Handset

Noise  
Cancelling  
Microphone



WRT - 20 - 20C - GR  
Order# (P6073)  
Membrane keypad

Sold by:



WRT - 10/20/30/40 FREEDOM SERIES are weather resistant telephones designed to provide reliable communications under adverse conditions. Specially designed to provide reliable service in outdoor environments.

The WRT FREEDOM SERIES resists moisture, dust and corrosive chemicals.

**Guardian**  
Telecom Inc.

ISO 9001 Today's Quality Creates Our Future

## FEATURES and BENEFITS

- Magnetic-reed hook switch to reduce parts subject to wear
- Encapsulated circuitry impervious to water and particles
- Hinge turns on nylon bushing to avoid jamming caused by salt or corrosion
- Spring-loaded door for automatic closure
- Surge arrestor to prevent voltage spike damage
- Heavy duty familiar G type industrial hand set
- Electret noise reducing microphone for clear communication
- Temp. range -40° to +60°C (-40° to +140°F)
- Water proof connections & stainless steel fittings for longer life
- Compact durable enclosure for easy mounting
- Modular parts for easy service
- Hearing aid compatible for total user compatibility
- Electronic ringer for reliability
- Sun yellow enclosure for high visibility. Optional Grey enclosure
- Weather, dust & corrosion resistant for any industrial application
- Tone or pulse dialing for universal configuration
- Easily connected to any telephone network for acceptance on any single line analog CO or PABX telephone line
- Stainless steel face plate to eliminate corrosion
- Volume control to ensure communication in noisy environments
- Front access plate for ease of hook-up

## APPLICATIONS

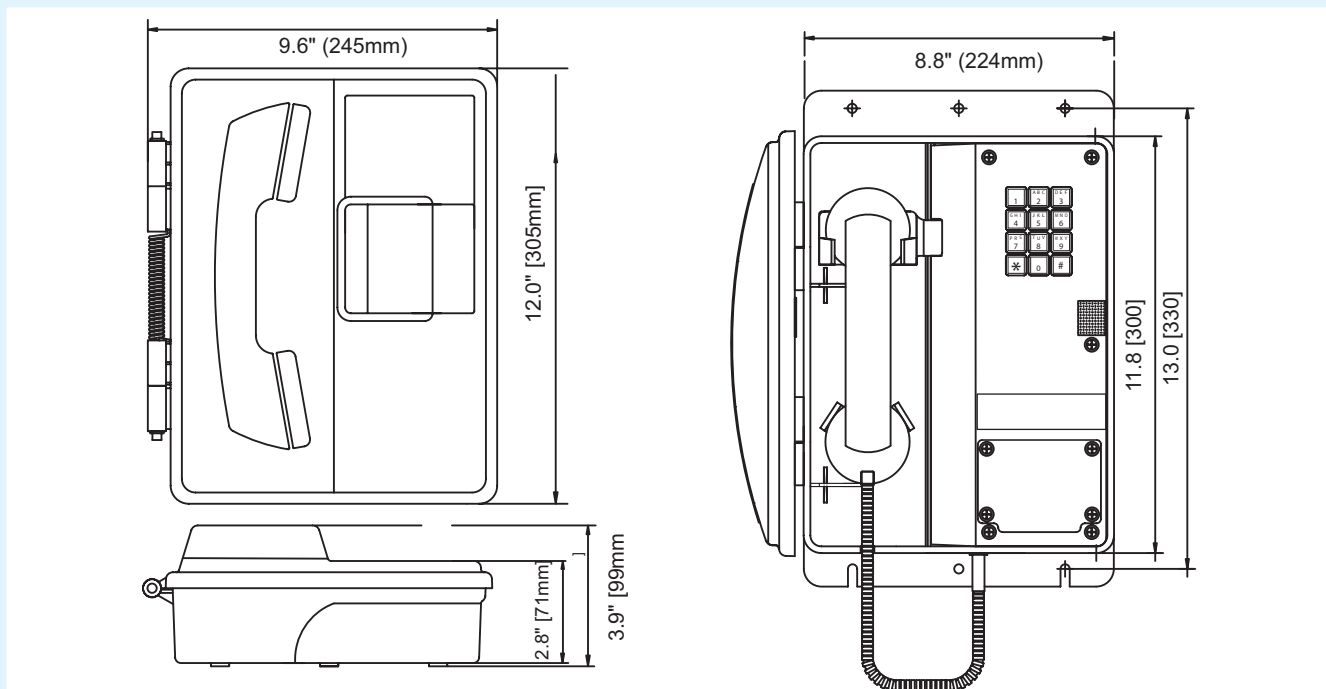
These telephones are designed to provide reliable communications in environments subject to moisture, dust and corrosive chemicals, such as:

- Airports
- Amusement Parks
- Cement Plants
- Construction Sites
- Dockside
- Food Processing
- Greenhouses
- Mines
- Parking Garages
- Plant Entry Gates
- Pulp & Paper Mills
- Sewage Plants
- Ships
- Swimming Pools
- Transit Authorities
- Universities
- Warehouses
- and more...

## INSTALLATION & CONNECTABILITY

To provide flexibility and potential for growth, telephones are easily and economically connected to any telephone network by standard wiring and components. Voice quality is unaffected when phones are connected within ~ 4,600 metres (15,000 feet) of a main telephone switch accepting single line telephones. Meeting safety standards may require use of special wiring conduits or other considerations.

## WRT - 10/20/30/40 OVERALL DIMENSION DETAIL



## ENGINEERING SPECIFICATIONS

### ELECTRICAL PERFORMANCE

Audio range frequency response	300 - 3400 Hz
Dialing method	DTMF or 40/60 pulse at 10 PPS
Transmit Objective Loudness Rating (TOLR)	+8.1/-5.4 dB
Receiver Volume Adjustment	in steps of 2.7 dB
Receiver Objective Loudness Rating (ROLR)	Typical 52 +/- 3 dB
- receiver volume at maximum	43.9 +/- 3 dB
- receiver volume at minimum	57.4 +/- 3 dB
Side Tone Objective Loudness Rating (SOLR)	Typical 11 +/- 4 dB
- receiver volume at maximum	7 +/- 4 dB
- receiver volume at minimum	14 +/- 4 dB
Memory Dial	} WRT - 20 Only
Flash	
Mute	600 msec timed disconnect
Ringer Output	Press key to mute transmitter
FCC Ringer Equivalence	>80 dB
Set Impedance	0.4A
Maximum Loop	600 ohms nominal
	4,600m (15,000ft) of 22 awg copper

### ELECTRICAL REQUIREMENTS

Ringer Sensitivity	40 - 100 V, 16 - 25 Hz
Line Voltage	24 - 56 VDC
Loop Current	20 - 120 mA
Connection Method	Surge arrestor

### MECHANICAL SPECIFICATIONS

Hook Switch (cradle switch) life	>1,000,000 Operations
Body Construction	GE Valox 357® Engineering Polymer
Dimensions	305 x 246 x 99 mm (12.0 x 9.7 x 3.9 in)
Net Weight	2.95 kg (6.5 lb.)
Handset Material	High impact ABS
Microphone	Noise reducing electret
Receiver	Hearing aid compatible
Standard Mounting	Vertical wall

### ENVIRONMENTAL

Temperature	-40° to +60°C (-40° to + 140°F)
Humidity	0 - 95% RH non-condensing
Dust Resistant	Fully gasketed enclosure

### APPROVALS

Industry Canada	1012 6721 A
FCC	HQHCAN-22517-TE-E
Weather Proof Enclosure	Type 3R
Environmental Survivability	MIL-STD810E

### ORDERING INFORMATION

Warranty: One year parts and labor.

ORDER NUMBER	DESCRIPTION
WRT - 10 (P6072)	6" Curly Cord, Teleseal Keypad
WRT - 20 (P6073)	6" Curly Cord, Membrane Keypad
WRT - 30 (P6074)	6" Curly Cord, Metal Keypad
WRT - 40 (P6075)	22" Armored Cord, Metal Keypad

### OPTIONAL EQUIPMENT

MP-Stainless Steel Mounting Plate
LC-RJ11 Line Cord
20C -20' Curly Cord (Bottom of Enclosure is Notched)
NC-Dynamic Noise Cancelling Microphone
AD-Internal Autodialer
GR-Grey Enclosure
CH-Conduit Hub

Guardian pursues a policy of continuous improvement, therefore specifications are subject to change without notice.

Distributed by:

