



30A 480V 3Ø; 30A 600V 3Ø



Industrial Grade

NEMA L16-30P NEMA L16-30R NEMA L17-30P NEMA L17-30R

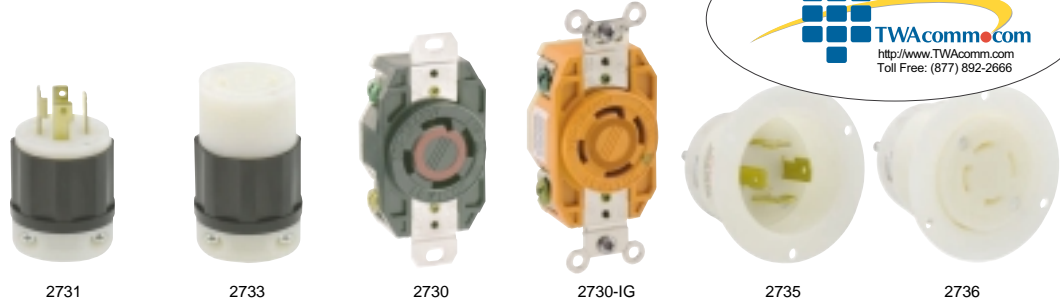


ELECTRICAL		
DIELECTRIC VOLTAGE	CURRENT INTERRUPT.	TEMP. RISE
Withstands 2000V per UL 498	Full rated current	Max 30°C after 250 cycles of overload at 200% of rated current

MECHANICAL			
TERMINAL I.D.	TERMINAL ACCOMM.	PRODUCT I.D.	CORD GRIP RANGE
Brass, hot	#18 - #10 AWG	Ratings & NEMA I.D. permanently marked on device	.595" - 1.150"
Grounding	Receptacles #14 - #8 AWG		
White, neutral			
ENVIRONMENTAL			
FLAMMABILITY		OPERATING TEMP.	
Rated V-2 per UL 94		-40°C to 60°C	

STANDARDS & CERTIFICATIONS					
NEMA WD-6	ANSI C-73	UL 498	UL Fed Spec Listed WC-596	CSA C22.2 No.42	NOM
✓	✓	✓	#E13393 Plugs, Connectors & Flanged Inlets	#LR-406	#057
			#E13399 Receptacles & Flanged Outlets		

Sold by:



2731

2733

2730

2730-IG

2735

2736

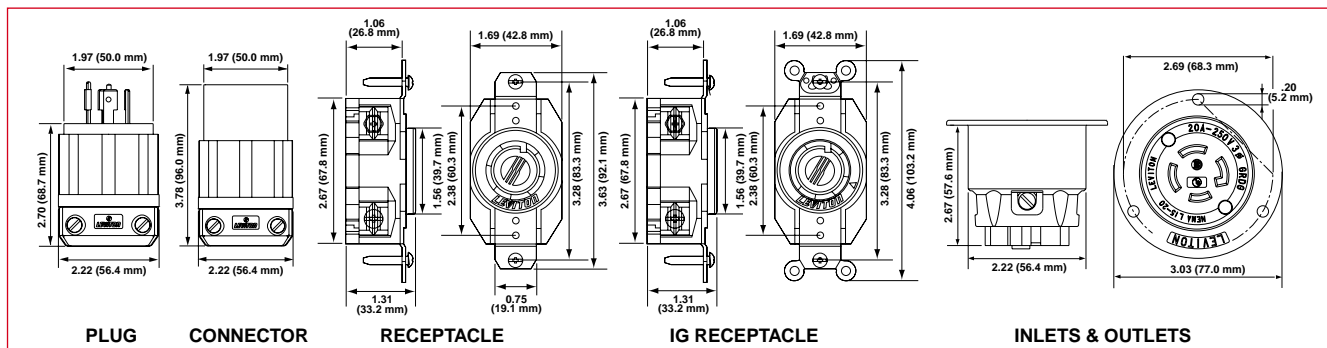
TYPE	PLUG	CONNECTOR	SINGLE FLUSH RECEPTACLE	SINGLE FLUSH IG RECEPTACLE	FLANGED INLET	FLANGED OUTLET
30A 480V 3Ø, NEMA L16-30P AND L16-30R, 3-P 4-W, Grounding						
Black & White	2731	2733	-	-	-	-
All Black	-	-	2730	-	-	-
All White	-	-	-	-	2735	2736
Orange	-	-	-	2730-IG	-	-
30A 600V 3Ø, NEMA L17-30P AND L17-30R, 3-P 4-W, Grounding						
Black & White	2741	2743	-	-	-	-
All Black	-	-	2740	-	-	-
All White	-	-	-	-	2745	2746
Orange	-	-	-	2740-IG	-	-

THERMOPLASTIC ELASTOMER BOOTS

PLUG BOOT	CONNECTOR BOOT
<p>6033 (Black) 6033-Y (Yellow)</p>	<p>6034 (Black) 6034-Y (Yellow)</p>

GRAY LEXAN FLIP LID COVER	YELLOW LEXAN FLIP LID COVER	WEATHER-RESISTANT THERMOPLASTIC COVER	302 STAINLESS STEEL
<p>For Inlets and Outlets IP64 Rated Includes Gasket and Screws WP2</p>	<p>For Receptacles IP64 Rated Includes Gasket and Screws 7420-CR</p>	<p>For Receptacles Self-Closing Lid Includes Gasket and Screws 4980-GY</p>	<p>Single Receptacles 1.60" Dia. Hole 84020-40</p>

FOR ADDITIONAL WALLPLATE OPTIONS SEE SECTION Q



Industrial Grade Locking Devices