



GFCI (Ground Fault Circuit Interrupter) Devices

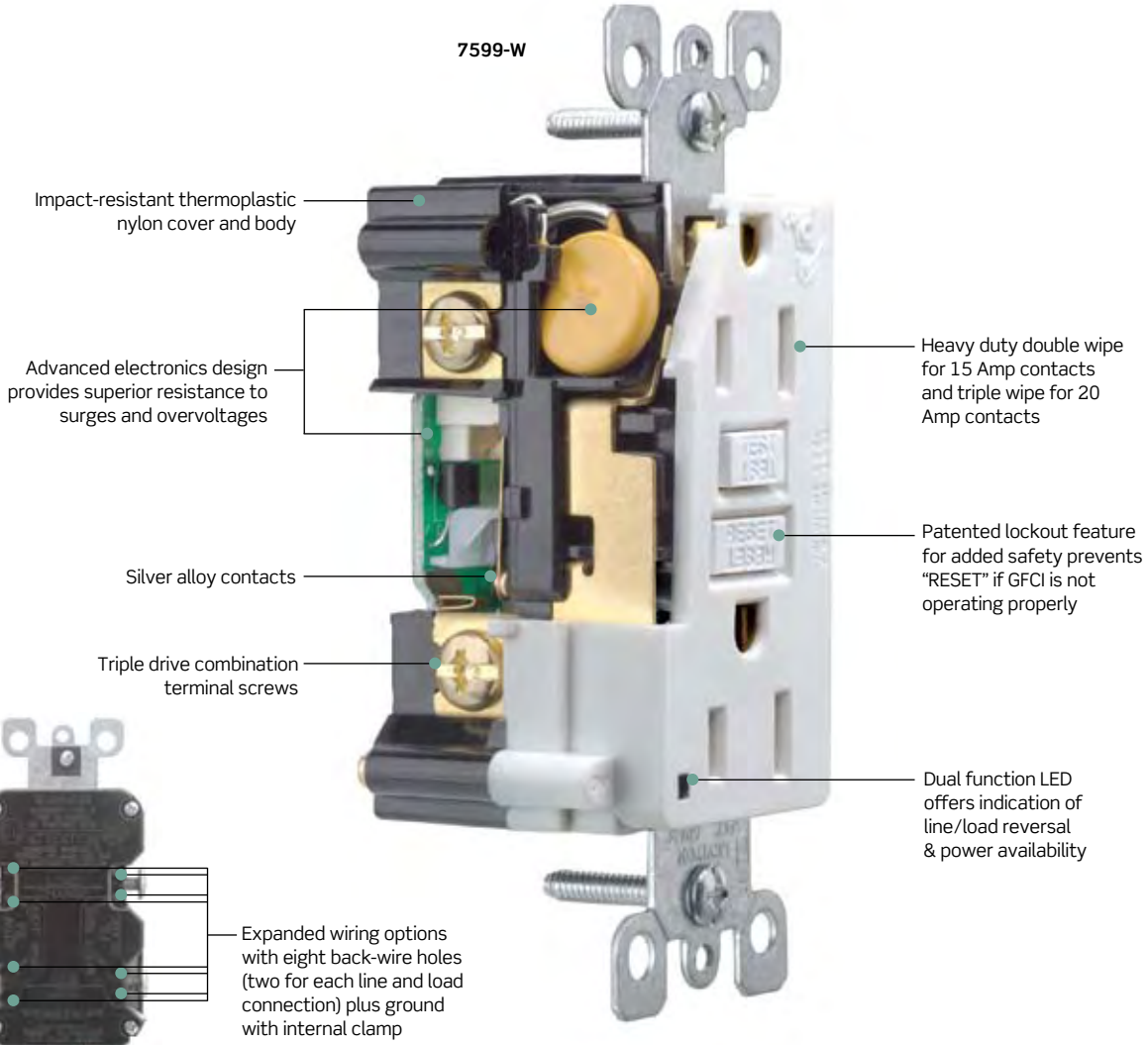
INDEX

	Hospital Grade
SmartlockPro® GFCI Receptacles	150
	Commercial Grade
SmartlockPro® GFCI Receptacles	153
Cord Sets	155
User-Attachable	160
Panel Mount	162
Power Distribution Box & Power Cords	163

SmartlockPro® GFCI Receptacles

Leviton is the leading manufacturer of Ground Fault Circuit Interrupters (GFCIs) in the electrical industry. Available in Extra Heavy Duty Hospital and Commercial Spec Grade, they are ideal for a wide range of GFCI applications. Our large selection of GFCIs includes Tamper-Resistant (TR) GFCI devices that meet Section 406.11 of the 2008 code and help protect children from electrical shock. For the highest level of ground fault protection, install 2008 NEC® code compliant Weather-Resistant GFCI (WR) receptacles, which meet UL 498 requirements. Built with UV stabilized engineering thermoplastic, the devices have high cold impact resistance and feature stainless steel straps and mounting screws.

7599-W



Provisions for back- or side-wiring.



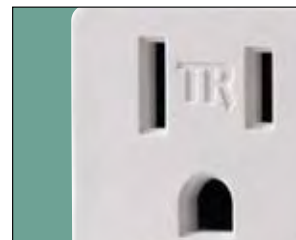
Leviton SmartlockPro icon ensures improved GFCI product design.



Lockout action blocks the "RESET" button if GFCI protection has been compromised.



Dual function LED offers indication of line/load reversal and power availability.



TR Symbol on GFCI receptacles assures they meet the 2008 NEC Requirement

SmartlockPro® Heavy-Duty Spec Grade – Back and Side Wired GFCI with Professional Grade Lockout*

Specifications and Features

- Patented bridge contact provides individual sets of contacts for GFCI receptacle face and downstream receptacles; no power to receptacle face if improperly wired (line-load reversal)
- Patented lockout feature for added safety prevents RESET if GFCI is not operating properly
- TEST and RESET button colors match device face (Red and Black button color models available)
- Advanced electronics design provides superior resistance to electrical surges and over-voltages
- Impact-resistant thermoplastic cover and body
- Expanded wiring options with eight back-wire holes (two for each line and load connection) plus ground with an internal clamp
- Silver alloy contacts
- Compatible with all Decora® devices and wallplates; available in select Decora colors
- Packed with coordinating wallplate
- Backed by a Limited Two-Year Warranty

Tamper Resistant



- Shutter mechanism inside the receptacle blocks access to the contacts unless a two-prong plug is inserted, helping ensure hairpins, keys, etc., will be locked out
- Heavy-duty construction offers long, trouble-free service life

NAFTA Compliant

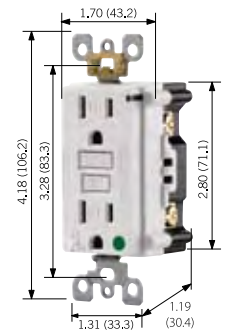
- Ideal for projects subject to the provisions of the Buy American Act

SMARTLOCKPRO HEAVY-DUTY SPEC GRADE

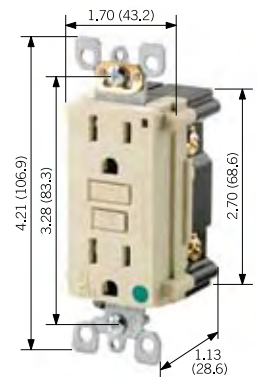
Back and Side Wired GFCI with Professional Grade Lockout

Description	Color	Cat. No.	Cat. No.
NEMA Config.		 5-15R	 5-20R
Rating		15A-125V 15A-125V @ Receptacle, 20A-125V Feed-Through	20A-125V 20A-125V @ Receptacle, 20A-125V Feed-Through
Tamper Resistant Duplex, GFCI with LED Indicator Light, buttons match face	White Ivory Light Almond Grey Black Brown Red	T7599-HGW T7599-HGI — T7599-HGG T7599-HGE — T7599-HGR	T7899-HGW T7899-HGI T7899-HGT T7899-HGG T7899-HGE T7899-HG T7899-HGR
Duplex, GFCI with LED Indicator Light, buttons match face	White Ivory Light Almond Grey Black Brown Red	7599-HGW 7599-HGI 7599-HGT 7599-HGG 7599-HGE 7599-HG 7599-HGR	7899-HGW 7899-HGI 7899-HGT 7899-HGG 7899-HGE 7899-HG 7899-HGR

Continued On Next Page >





T7599-HGW

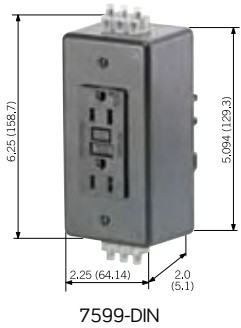


7599-HGI


Hospital and Industrial Grade

Continued From Previous Page >

Description	Color	Cat. No.	Cat. No.
NEMA Config.		 5-15R	 5-20R
Rating		15A-125V	20A-125V
NAFTA Compliant Duplex, GFCI with LED Indicator Light, buttons match face	White	7599-HFW	7899-HFW
	Ivory	7599-HFI	7899-HFI
	Light Almond	7599-HFT	7899-HFT
	Grey	7599-HFG	7899-HFG
	Black	7599-HFE	7899-HFE
	Brown		7899-HF
	Red	7599-HFR	7899-HFR



INDUSTRIAL GRADE DIN-RAIL GFCI MODULE

Description	Color	Cat. No.
NEMA Config.		 5-15R
Rating	15A-125V	
Duplex, GFCI with LED Indicator Light, buttons match face. DIN-Rail mounting with terminal wiring block. UL Recognized Component (NEMA 5-15R)	Black	7599-DIN

TESTING AND CODE COMPLIANCE

- Meets or exceeds all new UL requirements for February 22, 2008
- UL Standard 943 Class A (GFCI) and 498 (Receptacles)
- NEMA (WD-1 & WD-6)
- ANSI (C-73)
- UL Listed (File # E-48380)
- CSA Certified (File #LR-57811)
- NOM Certified (File #057)

ELECTRICAL

Dielectric Voltage: Withstands 2000V for UL 498
 Current Interr.: Full rated current
 Temp. Rise: Max 30°C after 250 cycles at 200% of rated current

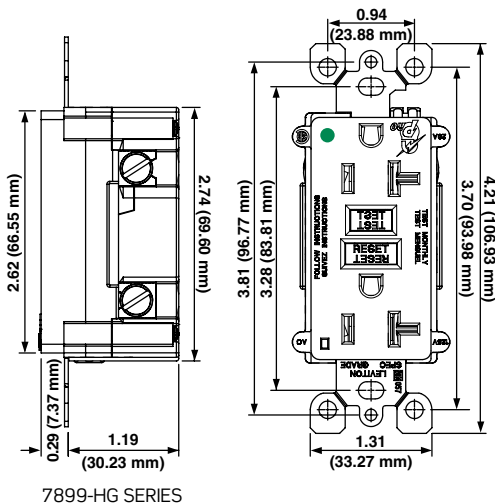
MATERIAL CHARACTERISTICS

Environmental: Flammability UL-94, V2 Rating
 Operating Temperature: -35°C to 66°C

MECHANICAL

Terminal I.D.: Brass-Hot, White-Neutral, Green-Grounding
 Terminal Accomm.: #14-#10 AWG
 Product I.D.: Ratings are permanently stamped on device

DIMENSIONS



SmartlockPro® Commercial Spec Grade – Back and Side Wired GFCI with Professional Grade Lockout*

Specifications and Features



- Patented bridge contact provides individual sets of contacts for GFCI receptacle face and downstream receptacles; no power to receptacle face if improperly wired (line-load reversal)
- Patented lockout feature for added safety prevents RESET if GFCI is not operating properly
- TEST and RESET button colors match device face (Red and Black button color models available)
- Advanced electronics design provides superior resistance to electrical surges and over-voltages
- Impact-resistant thermoplastic cover and body
- Expanded wiring options with eight back-wire holes (two for each line and load connection) plus ground with an internal clamp
- Silver alloy contacts
- Compatible with all Decora® devices and wallplates; available in select Decora colors
- Packed with coordinating wallplate
- Backed by a Limited Two-Year Warranty

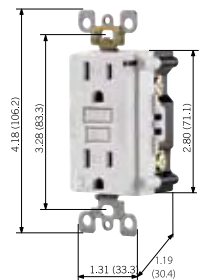
NAFTA Compliant

- Ideal for projects subject to the provisions of the Buy American Act

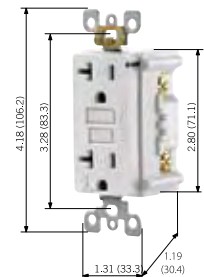
SMARTLOCKPRO COMMERCIAL SPEC GRADE

Back and Side Wired GFCI with Professional Grade Lockout*

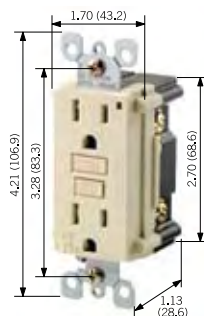
Description	Color	Cat. No.	Cat. No.
NEMA		 5-15R	 5-20R
Rating		15A-125V @ Receptacle	20A-125V @ Receptacle
		20A-125V Feed-Through	20A-125V Feed-Through
Tamper Resistant GFCI with LED Indicator Light (with self-grounding clips)	White	T7599-W	T7899-W
	Ivory	T7599-I	T7899-I
	Almond	T7599-A	T7899-A
	Light Almond	T7599-T	T7899-T
	Grey	T7599-GY	T7899-GY
	Black	T7599-E	T7899-E
	Brown	T7599	T7899
	Red	T7599-R	T7899-R
GFCI with LED Indicator Light	White	7599-W	7899-W
	Ivory	7599-I	7899-I
	Almond	7599-A	7899-A
	Light Almond	7599-T	7899-T
	Grey	—	7899-GY
	Black	—	7899-E
	Brown	7599	7899
	Red	—	7899-R
GFCI with LED Indicator Light (with self-grounding clips)	White	7599-SGW	7899-SGW
	Ivory	7599-SGI	7899-SGI
	Almond	7599-SGA	7899-SGA
	Light Almond	7599-SGT	7899-SGT
GFCI with LED Indicator Light, with 6" wire leads (Black and Red Buttons)	White	7599-LW	7899-LW
	Ivory	7599-LI	7899-LI



T7599-W



T7899-W



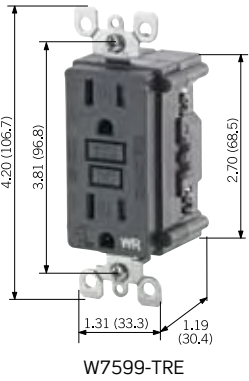
7599-I

*This product is covered by U.S. Patents Nos. 6,040,967; 6,246,558; 6,282,070; 6,381,112; 6,437,953; 6,864,766, as well as other U.S. and foreign patents pending.

Continued On Next Page >

Commercial Grade

Continued From Previous Page >



Description	Color	Cat. No.	Cat. No.
NEMA		5-15R	5-20R
Rating		15A-125V @ Receptacle	20A-125V @ Receptacle
		20A-125V Feed-Through	20A-125V Feed-Through
NAFTA Compliant GFCI with LED Indicator Light	White	7599-FW	7899-FW
	Ivory	7599-FI	7899-FI
Outdoor Grade GFCI with LED Indicator Light	White	W7599-W	W7899-W
	Black	W7599-E	W7899-E
Tamper Resistant Outdoor Grade GFCI with LED Indicator Light	White	W7599-TRW	W7899-TRW
	Black	W7599-TRE	W7899-TRE
Blank Face, no LED Indicator Light	White	—	7590-W
	Ivory	—	7590-I
	Almond	—	7590-A
	Light Almond	—	7590-T
	Black	—	7590-E

*This product is covered by U.S. Patents Nos. 6,040,967; 6,246,558; 6,282,070; 6,381,112; 6,437,953; 6,864,766, as well as other U.S. and foreign patents pending.

TESTING AND CODE COMPLIANCE

Meets or exceeds all new UL requirements for February 22, 2008

- UL Standard 943 Class A (GFCI) and 498 (Receptacles)
- NEMA (WD-1 & WD-6)
- ANSI (C-73)
- UL Listed (File #E-48380)
- CSA Certified (File #LR-57811)
- NOM Certified (File #057)

MATERIAL CHARACTERISTICS

Environmental: Flammability, Rated V2
Operating Temperature: -35°C to 66°C

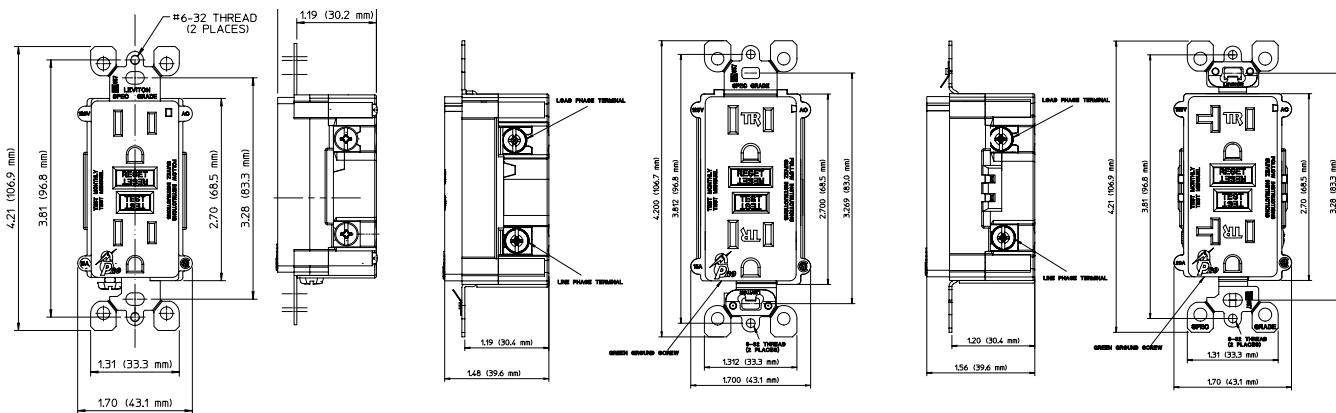
MECHANICAL

Terminal I.D.: Brass-Hot, White-Neutral, Green-Grounding
Terminal Accomm.: #14-#10 AWG
Product I.D.: Ratings are permanently stamped on device

ELECTRICAL

Dielectric Voltage: Withstands 2000V for UL 498
Current Interr.: Full rated current
Temp. Rise: Max 30°C at full rated current after 250 cycles over-load at 200% of rated current
Meets 10kA supplemental short circuit current test

DIMENSIONS



SmartlockPro® GFCI

Tamper Resistant 15A SmartlockPro® GFCI

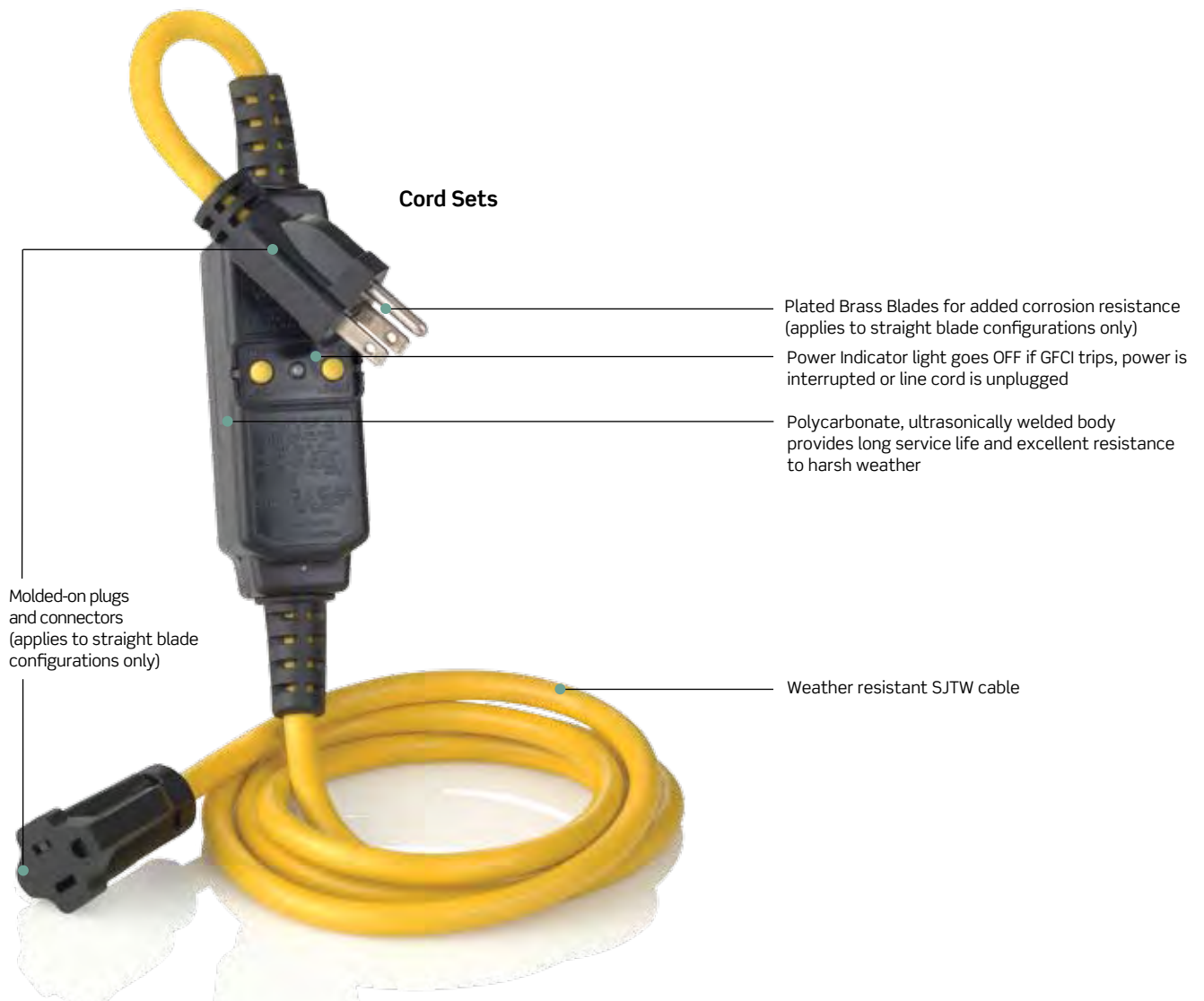
Tamper Resistant 20A SmartlockPro® GFCI

Automatic Reset GFCI Devices

Leviton's Automatic Reset GFCI Devices are now sleeker and more rugged than ever! And, while these devices are fully OSHA compliant for use on job sites, they are also perfect for use in a variety of temporary power applications, such as recreation vehicles, marine vehicles, portable pools, portable generators, submersible pumps, vending machines and more.

Specifications and Features

- Rainproof, outdoor rated GFCI module
- Fully complies with NEC and OSHA regulations for construction sites
- Automatically resets to ON when plugged in or after power interruption
- Power Indicator light goes OFF if GFCI trips, power is interrupted or GFCI is unplugged
- Open-Neutral Protection immediately trips the GFCI if the neutral conductor on the line side is opened, eliminating the possibility of the GFCI having a live hot leg
- Cord Set Models available in Standard Cord Set lengths of 2-ft., 3-ft., 6-ft., 25-ft. and 37-ft. Custom lengths and configurations available as special order
- Specially designed NEMA 3R Raintight While-in-Use covers available for Right Angle Plug Models
- UL listed cord sets and user-attachables; UL recognized power supply cords; complies with UL Standard 943 as a Class A GFCI
- CSA Certified
- Backed by a Two-Year Limited Warranty



Commercial Grade



Cat No. 86593-1EM
Raintight
While-in-Use
Cover for use with
right angle plugs

User-Attachable Devices

Polycarbonate, ultrasonically welded body provides long service life and excellent resistance to harsh weather

Cat. No. GCA20
shown below



Accepts 12 AWG
to 18 AWG 3-wire
flexible cord
(SJ or ST Type)

Cat. No. 16593
shown above

Terminal chamber sealed with silicon and foam rubber gaskets for superior protection against moisture










Accepts 12 AWG to 18
AWG 3-wire flexible cord
(SJ or ST Type)

Automatic and Manual Reset GFCI Cord Sets and Power Supply Cords

Specifications and Features

- UL 943 Class A GFCI operation with open-neutral protection
- Impact-resistant thermoplastic cover and body
- Rainproof, Outdoor rated GFCI Module
- Water-resistant enclosure is sealed by ultrasonic welding
- Silver alloy contacts
- Power Indicator light goes OFF if GFCI trips, power is interrupted or line cord is unplugged
- Open-Neutral Protection immediately trips the GFCI if the neutral conductor on the line side is opened, eliminating the possibility of the GFCI Cord Set having a live hot leg
- Fully complies with NEC and OSHA regulations for construction sites
- Manual Reset Cord Sets (yellow body) will not automatically reset ON when power is restored after a power interruption-Reset button must be pushed in
- Automatic Reset Cord Sets (black body) will automatically reset ON when plugged in or power is restored after a power interruption
- Backed by a Two-Year Limited Warranty

AUTOMATIC RESET GFCI CORD SETS AND POWER SUPPLY CORDS

Description	Color	Cat. No.
		  5-15P 5-15R
Rating		15A-120V
20 ft Cord Set with Fluorescent Work Light (12 AMP)	Black	66591-WL
2 ft Cord Set, Straight Blade Plug and Connector	Black	GFA15-2C
6 ft Cord Set, Straight Blade Plug and Connector	Black	GFA15-6C
25 ft Cord Set, Straight Blade Plug and Connector	Black	GFA15-25C
3 ft Cord Set, Straight Blade Plug and Triple Tap Connector	Black	GFA15-3TC
		 5-15P
Rating		15A-120V
37 ft Power Supply Cord, Straight Blade Plug, No Connector*	Black	GFA15-37E
		  5-20P 5-20R
Rating		20A-120V
3 ft Cord Set, Straight Blade Plug and Connector	Black	GFA20-3C
37 ft Power Supply Cord*	Black	GFA20-37E
		 LS-20P
Rating		20A-120V
3 ft Cord Set, Locking Plug and Connector	Black	GFA20-3LC
		 6-15P
Rating		15A-240V
35 ft GFCI Power Supply Cord, No Connector*	Black	26592-E



GFA20-37E



GFA15-3TC

*UL recognized component

Continued On Next Page >

Commercial Grade

Continued From Previous Page >

Description	Color	Cat. No.
		 6-20P
Rating		20A-240V
35 ft GFCI Power Supply Cord, No Connector*	Black	36592-E

*UL recognized component

MANUAL RESET GFCI CORD SETS

Description	Color	Cat. No.
		 5-15P 5-15R
Rating		15A-120V
3 ft Cord Set, Straight Blade Plug and Connector**	Yellow	69591-3
25 ft Cord Set, Straight Blade Plug and Connector	Yellow	69591-25
3 ft Cord Set, Straight Blade Plug and Triple Tap Connector**	Yellow	69593-3

**Heavy-Duty #12/3 Type SJTW Cord



69591-W3

		 5-20P 5-20R
Rating		20A-120V
3 ft Cord Set, Straight Blade Plug and Connector	Yellow	69891-3

		 5-15P 5-15R
--	--	----------------------

Rating		15A-120V
3 ft Cord Set, Wetguard® Plug and Connector**	Yellow	69591-W3
25 ft Cord Set, Wetguard® Plug and Connector	Yellow	69591-W25

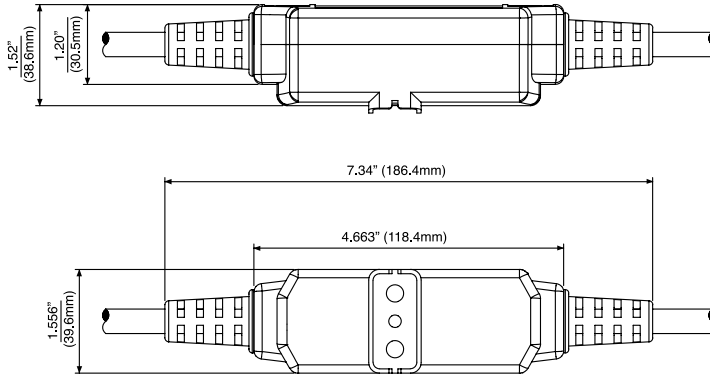
**Heavy-Duty #12/3 Type SJTW Cord

		 5-20P 5-20R
Rating		20A-120V
3 ft Cord Set, Wetguard® Plug and Connector†	Yellow	69891-W3

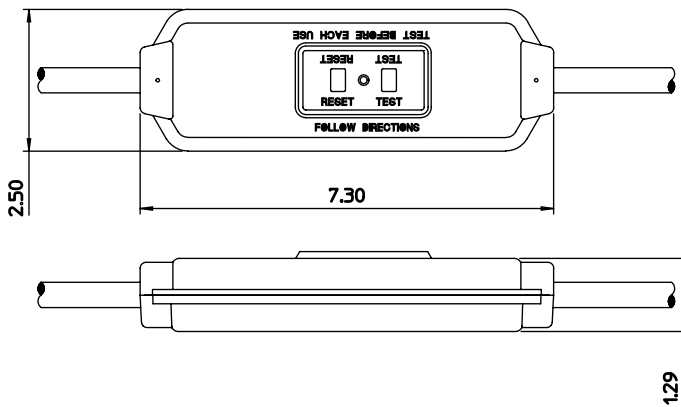
CSA Certified except where indicated by †.

DIMENSIONS

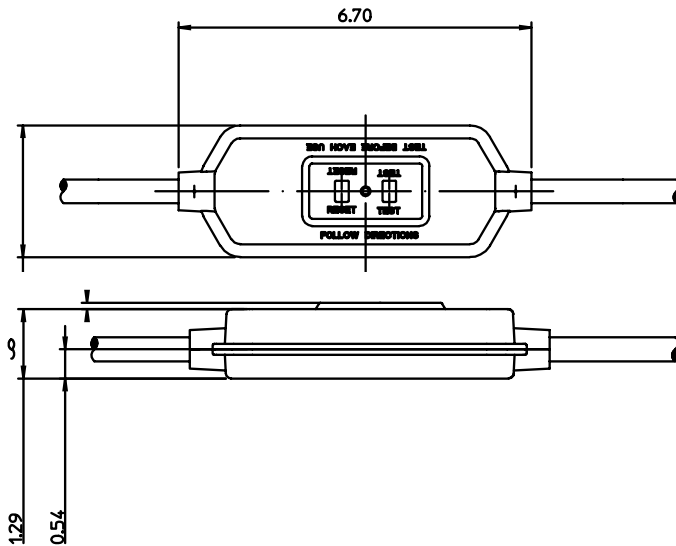
Cat. Nos. GFA15 / GFA20



Cat. Nos. 26592 / 36592 / 69591-3 / 69593-3 / 69891-3 / 69591-W3 / 69891-W3



Cat. Nos. 69591-25 / 69591-W25



Commercial Grade

User Attachable Devices

Specifications and Features

- UL 943 Class A GFCI operation with open-neutral protection
- May be pre-wired to cable of any specified length up to 50 feet
- Available in wiring modules that accept No. 18 (.300") thru No. 12 (.450") cord sizes Type SJ Only and No. 16 (.300") thru No. 12 (.597") cord sizes Type SJ or ST
- Power indicator light goes off if GFCI trips, power is interrupted or GFCI is unplugged
- Backed by a Two-Year Limited Product Warranty



6594

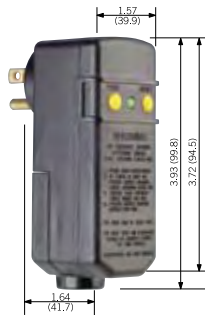
RIGHT ANGLE GFCI PLUG

Description	Color	Cat. No.	Cat. No.	Cat. No.
		1-15P	5-15P	5-20P
Rating		15A-120V	15A-120V	20A-120V
Automatic Reset - Type SJ Cords Only*	Black	16592	16593	16893
Automatic Reset - Type SJ and ST Cords**	Black	-	16693	16793
Manual Reset***	Yellow	-	6594	6894

*Wiring module accepts No. 18 (.300") thru No. 12 (.450") cord sizes Type SJ Only.

**Wiring module accepts No. 16 (.300") thru No. 12 (.597") cord sizes Type SJ or ST.

***Wiring module accepts No. 18 (.300") thru No. 12 (.607") cord sizes.



16593

Description	Color	Cat. No.	Cat. No.	Cat. No.
				5-20P
Rating				20A-120V
NEMA 3R While-In-Use Cover for Right Angle GFCI Plugs with ground pin up orientation	Clear/Black Base			86593-0EM
NEMA 3R While-In-Use Cover for Right Angle GFCI Plugs (receptacle included for ground pin up or down mounting)	Clear/Black Base			86593-1EM

IN-LINE GFCI WITH LINE/LOAD WIRING CHAMBERS

Description	Color	Cat. No.	Cat. No.	Cat. No.
In-line GFCI with line/load wiring chambers Type SJ and ST Cords**	Black			GCA20

**Wiring module accepts No. 16 (.300") thru No. 12 (.597") cord sizes Type SJ or ST.

TESTING AND CODE COMPLIANCE

Meets all NEMA WD 1 & 6, and ANSI requirements

- UL Standard 943 Class A (GFCI)
- UL Listed (File #48380)
- CSA Certified (File #LR-57811)
- NOM Certified (#057)

MATERIAL CHARACTERISTICS

Environmental: Flammability, Rated V2
Operating Temperature: -35°C to 66°C

MISC MOTOR CONTROL RATING

3/4 HP @ Rated voltage

ELECTRICAL

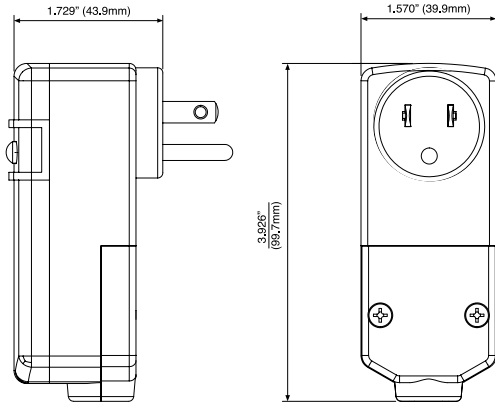
Dielectric Voltage: 1250V Line-to-load and 2500V line/load-to-ground
4000V conductor-to-enclosure extendor
Current Interr.: 2kA
Trip Level: 5 ± 1 mA

MECHANICAL

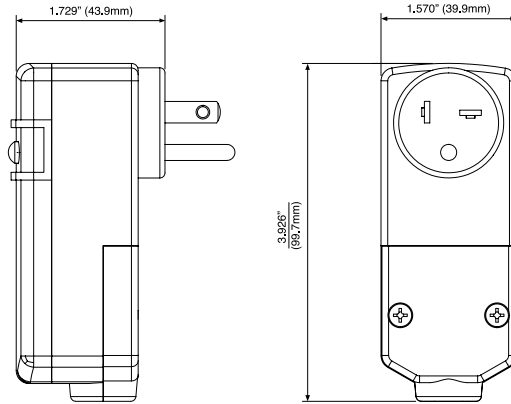
Terminal I.D.: Brass-Hot, Silver-Neutral, Green-Grounding
Terminal Accom.: #18-#12 AWG (exceptions where noted)
Product I.D.: Ratings are permanently marked on device

DIMENSIONS

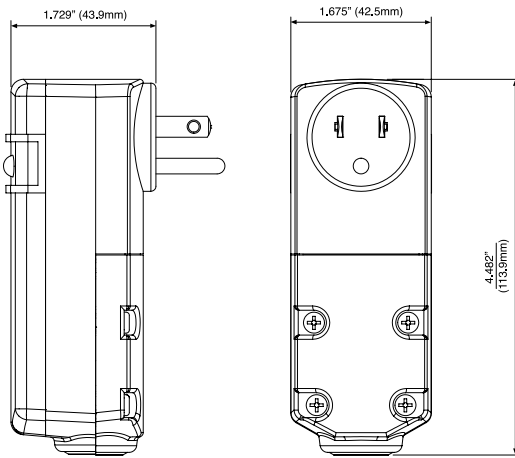
Cat No 16593



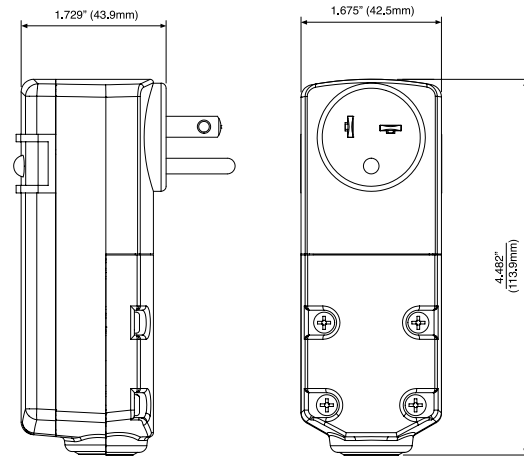
Cat No 16893



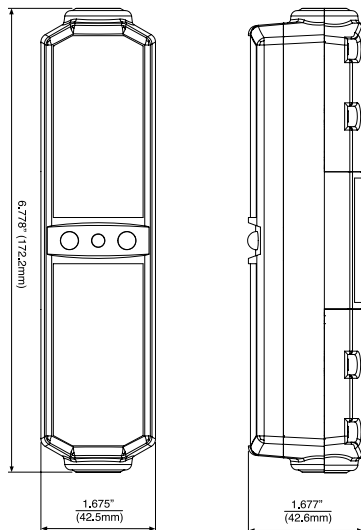
Cat No 16693



Cat No 16793



Cat. No. GCA20



Commercial Grade

Panel Mount GFCI

Specifications and Features

- Moisture and Impact-Resistant Housing and TEST and RESET Buttons
- Automatic resets to ON when energized or after power interruption
- UL 943 Class A GFCI operation with open-neutral protection
- Open-Neutral Protection immediately trips the GFCI if the neutral conductor on the line side is opened, eliminating the possibility of the GFCI Cord Set having a live hot leg
- UL recognized component
- CSA Certified
- Power Indicator light goes OFF if GFCI trips, power is interrupted or line cord is unplugged
- Backed by a Two-Year Limited Warranty

PANEL MOUNT GFCI

Description	Color	Cat. No.
Rating		20A-120V
Automatic Reset GFCI for Control Panels, Pedestals and other applications	Black	36596-E
Automatic Reset GFCI - Configured for Temporary Distribution Boxes	Yellow	36596-Y
Automatic Reset GFCI - Configured for Theatre Dimming Systems	Yellow	36597-Y
Automatic Reset GFCI for Phase-Control	Yellow	36895-DIM

TESTING AND CODE COMPLIANCE

Meets all NEMA WD 1 & 6, and ANSI requirements

- UL Standard 943 Class A (GFCI)
- UL Listed (File #48380)
- CSA Certified (File #LR-57811)
- NOM Certified (#057)

MATERIAL CHARACTERISTICS

Environmental: Flammability, Rated V2
Operating Temperature: -35°C to 66°C

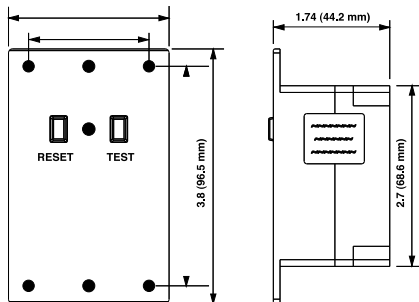
ELECTRICAL

Dielectric Voltage: 1250V Line-to-load and 2500V line/load-to-ground
4000V conductor-to-enclosure extendor
Current Interr.: 2kA
Trip Level: 5 ± 1 mA

MECHANICAL

Product I.D.: Ratings are permanently marked on device

DIMENSIONS



36596, 36597, 36895

Power Distribution Box and Power Cords

Specifications and Features



The Box

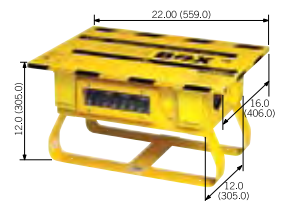
- For temporary use in industrial and commercial maintenance and repair stations (construction, entertainment, amusement sites, trade shows, convention halls) where portable power is needed
- Weatherproof covers prevent nuisance tripping; prevent moisture from entering contacts
- Clear port hole panel for circuit breaker viewing
- Reinforced metal housing and legs withstand abuse
- Backed by a limited one-year warranty

Power Cords

- Flexible, abrasion-resistant construction for reliable performance to -31°F
- Raintight covers satisfy NEC Article 410-57(b) requirements
- Raintight covers are rated NEMA 3R


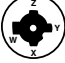
TEMPORARY PORTABLE POWER DISTRIBUTION CENTER/GFCI (THE BOX)

Description	Cat. No.	Inlet	Outlet
		 6: L5-20R	 1: L 6-30R
Rating		50A 120/250V	50A 120/250V
(6) 20A/120V Locking, GFCI Protected	PB101-SGF		
(1) 30A/250V Locking, GFCI Protected			
(6) 20A/120V Locking, GFCI Protected	PB101-000		
(1) 30A/250V Locking, Non-GFCI Protected			
(6) 20A/120V Straight Blade, GFCI Protected	PB103-SGF		
(1) 30A/250V Locking, GFCI Protected			
(6) 20A/120V Straight Blade, GFCI Protected	PB103-000		
(1) 30A/250V Locking, Non-GFCI Protected			



PB101-SGF

POWER CORDS

Description	Cat. No.	Inlet	Outlet
		 Non-NEMA	 Non-NEMA
100 ft. Temporary Power Cord w/Weather-Resistant 50A, 120/250 Plug and Connector	KUS-A9519		
50 ft. Temporary Power Cord w/Weather-Resistant 50A, 120/250 Plug and Connector	KRS-A9519		



KRS-A9519

Commercial Grade

TESTING AND CODE COMPLIANCE

Meets all NEMA WD 1 & 6, and ANSI requirements

- UL Standard 943 Class A (GFCI) and 498 (receptacles)
- CSA Certified (File #LR-57811)
- NOM Certified (#057)
- Meets OSHA Regulation 20, Part 1926, Subpart K Standards

MATERIAL CHARACTERISTICS

Environmental: Flammability, Rated V2
 Operating Temperature: -35°C to 66°C

POWER CORDS

- UL Listed (File #E-48380)

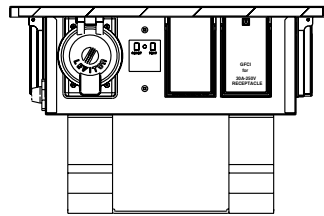
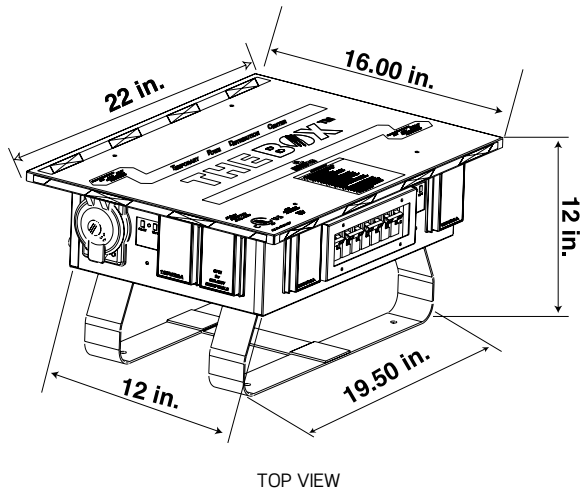
ELECTRICAL

Dielectric Voltage: Withstands 1500V per UL 498
 Current Interr.: 2kA
 Temp. Rise: 30°C max at full rated current after 50 cycles over-load at 150% rated current for both AC and DC per UL 498
 Trip Level: 5 ± 1 mA

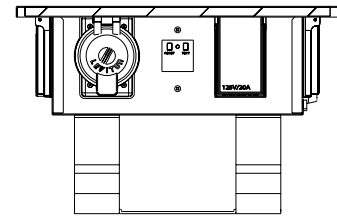
MECHANICAL

Terminal I.D.: Brass-Hot, Silver-Neutral, Green-Grounding
 Terminal Accom.: N/A
 Product I.D.: Ratings are permanently marked on device

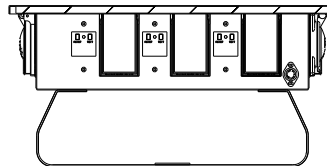
DIMENSIONS



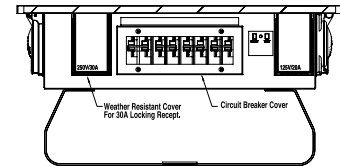
END VIEW 1



END VIEW 2



SIDE VIEW 1



SIDE VIEW 2