

Commercial Grade AC Combination Devices



Combination Devices

15 AMP

DESCRIPTION	RATING	CAT. NO.	COLOR*
Single-Pole Switch/Receptacle	Switch: 15A-120V AC Receptacle: 15A-125V	5225	I, W, A <small>Basic Cat.No. Denotes Brown</small>
3-Way Switch/Receptacle (Non-Grounding Switch)	Switch: 15A-120V AC Receptacle: 15A-125V	5245	I, W
Two Single-Pole Switches (Non-Grounding)	15A-120/277V AC	5224	I, W
Two Single-Pole Switches (Grounding version)	15A-120/277V AC	5224-2	I, W, A
3-Way Switch/ Single-Pole Switch (Non-Grounding)	15A-120/277V AC	5241	I, W, A
Two 3-Way Switches (Non-Grounding)	15A-120/277V AC	5243	I, W, A
Single-Pole Switch/Pilot Light	Switch: 15A-120V AC Pilot Light: 1/25W-125V AC	5226	I, W, A

20 AMP

DESCRIPTION	RATING	CAT. NO.	COLOR*
Two Single-Pole Switches	20A-120/277V AC	5334	I, W <small>Basic Cat.No. Denotes Brown</small>
Single-Pole Switch/Receptacle	Switch: 20A-120V AC Receptacle: 20A-125V	5335	I, E
Single-Pole Switch/Pilot Light	Switch: 20A-120V AC Pilot Light: 1/25W-125V AC	5336	I

All devices are UL Listed and CSA Certified.

SPECIFICATIONS & FEATURES

- AC quiet switches have silver-cadmium oxide contacts and receptacles have double-wipe contacts for maximum conductivity
- All devices have grounding screw, except where noted
- Side wired with terminal screws that accept up to #12 copper or copper-clad wire
- Fit standard wallboxes
- Break-off tabs on devices with AC quiet switches permit conversion to separate feeds (except switch/pilot light combinations)

TESTING & CODE COMPLIANCE

- UL Listed (File #7458)
- CSA (File #LR-3413)
- NOM Certified (#057)
- Backed by a Limited Two-Year Warranty

*COLOR

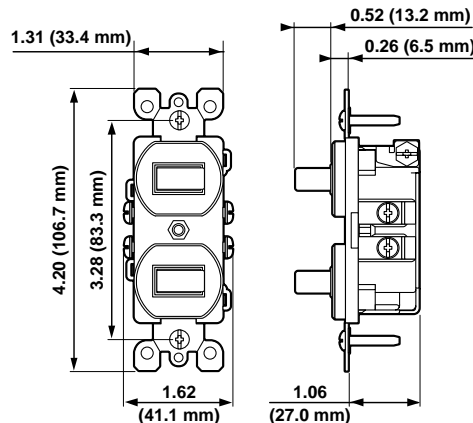
Basic Cat. Nos. shown above denotes Brown color. For other color selections, add suffix to the catalog number as follows: Ivory (-I), White (-W), Almond (-A), Black (-E).

HORSE POWER

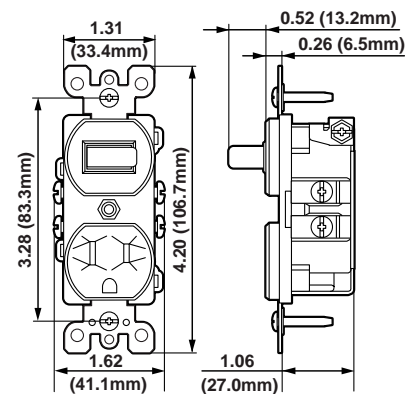
15A Switch	20A Switch
1/2 @ 120V	1 @ 120V
2 @ 240V	2 @ 240V

MATERIAL CHARACTERISTICS

Environmental: Flammability UL-94, V2 Rating
Operating Temperature: -40°C to 120°C



TWO SINGLE-POLE SWITCHES
Cat. No. 5224 and 5334



SINGLE POLE SWITCH AND GROUNDING RECEPTACLE
Cat. No. 5225