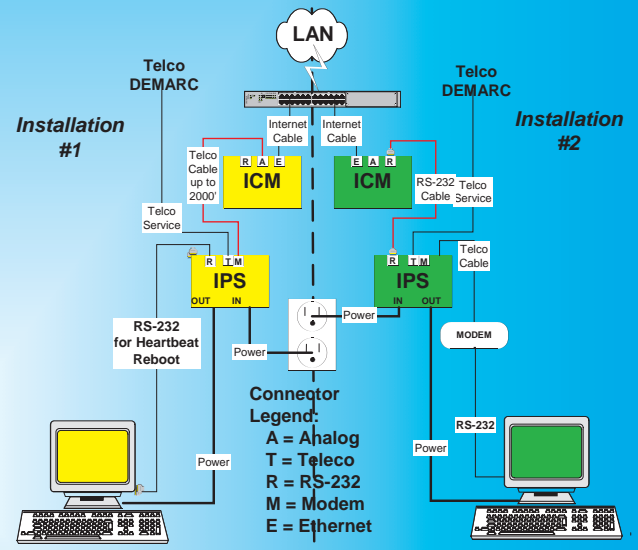
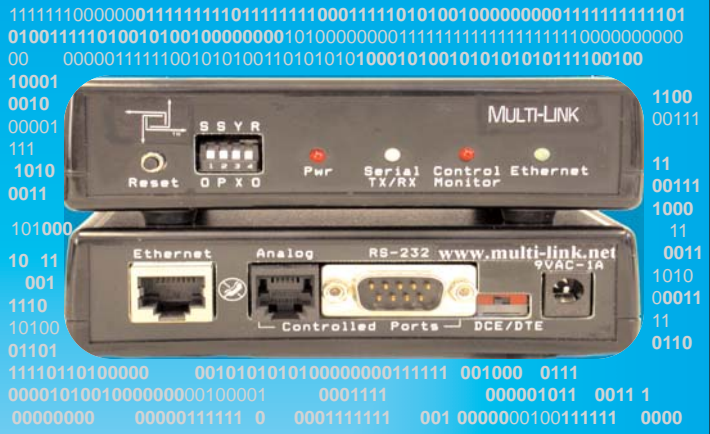


NEW PRODUCT!

Internet Control Module

The ICM is a web based network manager used to control any of Multi-Link's power control base units.

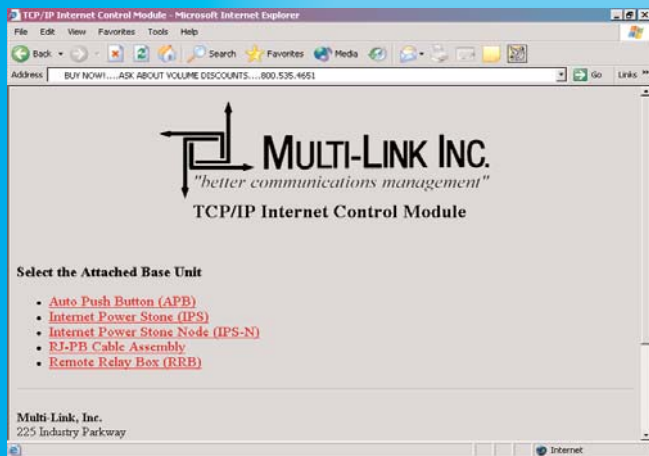
The ICM connects to a web-based network like any other IP network device and acts like a mini-website, accessible via any web browser. The ICM presents its menu to the administrator and control is initiated by selecting the appropriate base unit, e.g. an IPS, connected to the controller. Once the base unit is selected, a list of control options (Power ON/OFF/RESET) will be displayed for that unit. Base units for reset or AC power control can be located as far as 2,000ft away from the ICM network power manager.



Optional Base Units:

- * IPS: AC power reboot by phone
- * IPS-N: Intelligent power node
- * APB: Push-button PC control
- * RJ-PB: Cable assembly push button

Sample Web Screen: Main Option Menu



Features:

- * TCP/IP Network Control
- * Access via any web browser
- * RS-232 or analog port interface to base unit (up to 2,000 feet)
- * User friendly screen control options
- * Password protected
- * Automatic or manual URL set-up
- * Variety of optional base units (listed)

Call Multi-Link for details!

800-535-4651

or

sales@multi-link.net

Sold by:

