

## For Medium & Miniature Bi-Pin Lamps — Surface Mount with Leads \*

DESCRIPTION	CAT. NO. WHITE	RATING
<b>Rapid-Start Medium Bi-Pin, 9" leads</b>	395-W	660W 600V
<b>Rapid-Start Medium Bi-Pin, Disconnect (paired with Cat. No. 395-W), 9" leads</b>	389-W	660W 600V
<b>Miniature Bi-Pin for T5 Lamp, 6" leads</b>	420-W	75W 250V

\*Leads are No. 18 AWG, 105°C plastic insulated wire

## For Slimline, Medium Bi-Pin, High Output Lamps — Snap-In with Quickwire

DESCRIPTION	CAT. NO. PLUNGER	CAT. NO. FIXED	RATING
<b>Slimline</b>	516	517	660W 1000V 660W 600V
<b>Medium Bi-Pin</b>	518†	519†	660W 600V 660W 600V
<b>Medium Bi-Pin, Stainless Steel Coverplate &amp; Clip</b>	13518	13519	660W 600V 660W 600V
<b>Medium Bi-Pin, Same as above, with Internal Shunt for Use with Electronic Ballasts</b>	23518	23519	660W 600V 660W 600V
<b>High Output 800mA and 1500mA</b>	523	524	660W 600V 660W 600V

†When existing stock is depleted this item will be DISCONTINUED.  
All devices are UL Listed and CSA Certified.

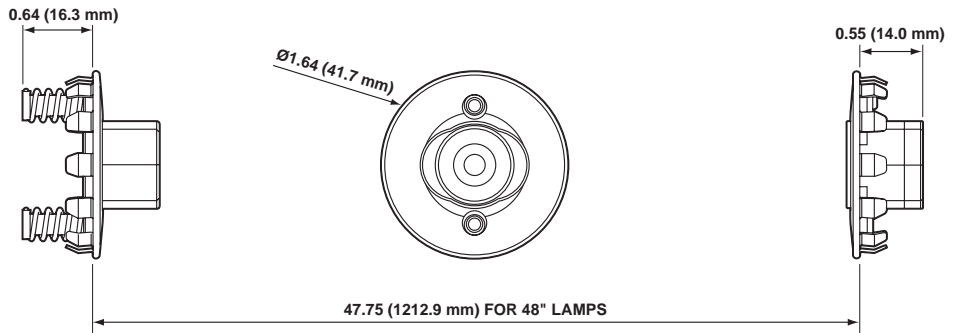


### SPECIFICATIONS & FEATURES

- Versatile snap-in mounting reduces fixture assembly time
- Quickwire terminals accept either No. 18 AWG (stranded, twisted or tinned), No. 18 AWG solid or No. 16 AWG solid.
- Internal Shunt versions stamped "S" on back for easy identification

### TESTING & CODE COMPLIANCE

- UL Listed (File #E-5833)
- CSA Certified (File #LR-5863; LR-1863)
- NOM Certified (#057)



Cat. No. 13518  
Plunger style

Cat. No. 13519  
Stationary style

Cat No. 13500 Spacing

