

Residential Grade

Straight Blade Receptacles

Side Wired 15 AMP/125V Non-Grounding

DESCRIPTION	CAT. NO.	COLOR*
Duplex Receptacle, ★ Plaster Ears	223	I, W
Duplex Receptacle, ★ Less Plaster Ears	222	I
	1-15R	
Duplex Receptacle T-SLOT, ★ not UL Listed; for replacement use only	5000	I



Snap-In Devices 15 AMP/125V

DESCRIPTION	CAT. NO.	PANEL THICKNESS (inches)	PANEL OPENING (inches)	COLOR*
2-Wire Polarized Outlet. Leads No. 14 AWG, 105°C Plastic, 6" Long, Stripped 1/2"	1306	.028 – .060	.97 x .52	E, W
	1-15R			
2-Wire Polarized Outlet. Back Strap Mounting, Leads No. 14 AWG, 105°C Plastic, 6" Long, Stripped 1/2"	306	.015 – .093	.97 x .52	E, W
	1-15R			
3-Wire Grounding Outlet. Leads No. 14 AWG, 105°C Plastic, 6" Long, Stripped 1/2". Grounding Wire No. 16 AWG	1374	.031 – .080*	.95 x .95	E, W
	5-15R			
3-Wire Grounding Power Plug. Leads No. 14 AWG, 105°C Plastic, 6" Long, Stripped 1/2". Grounding Wire No. 16 AWG	1373	.031 – .080	.95 x .95	E
	5-15P			



*Other panel thicknesses available.

Side Wired Clock Hanger 15 AMP/125V Grounding

DESCRIPTION	CAT. NO.	COLOR*
Flush Mount with Square Recess	688	I, W
	5-15R	

All devices are UL Listed. Also CSA Certified except where indicated by ★

SPECIFICATIONS & FEATURES

223-I & 5000

- Terminal screws accept up to No. 12 copper or copper-clad wire for side wiring
- Double-wipe power contacts for maximum conductivity and plug retention
- Heavy-gauge, rust-resistant steel mounting strap
- Shallow design for maximum wiring room
- Break-off plaster ears for best flush alignment
- Captive mounting screws
- Break-off tabs allow easy two-circuit conversion

1306

- All 1306 product come with dual exiting capabilities
- 1306 with 3 wire (with ground) configurations available upon request

TESTING & CODE COMPLIANCE

- UL Listed 498
- CSA Certified where applicable (File #LR-406)
- NOM Certified (#057)
- Meets or exceeds NEMA standards
- Backed by a Limited Two-Year Warranty

*COLOR

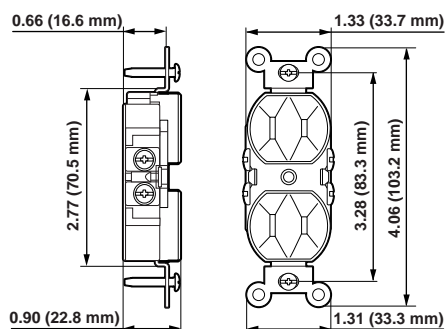
Basic Cat. Nos. shown above denote Brown color. For other color selections, add the suffix to catalog number as follows: Ivory (-I), White (-W), Black (-E).

MATERIAL CHARACTERISTICS

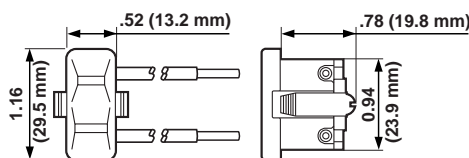
Environmental: Flammability, Rated V2
Operating Temperature: From -40° C (without impact) to 60° C maximum continuous

Snap-In Devices

Environmental: Flammability, Rated V2
Operating Temperature: From -40° C (without impact) to 65° C maximum continuous



SIDE-WIRED, NON-GROUNDING
Cat. No. 223



SNAP-IN DEVICE 2-WIRE
Cat. No. 1306

