



5206



279-PM

SPECIFICATIONS & FEATURES

- Made of durable thermoplastic
- Heavy-gauge, double-wipe copper alloy contacts
- Easy-to-wire terminals accept up to No. 4 AWG conductors
- Terminal marked for easy identification and fast wiring
- All mounting hardware included
- Flush-mount devices fit single or two-gang outlet boxes
- Surface-mount devices are COMMERCIAL GRADE and have concentric knockouts for 3/4" and 1" conduit and adjustable cord clamp and back and bottom entrance of cable

TESTING & CODE COMPLIANCE

- UL Listed for copper or aluminum conductors (File #E-13399); Angle Plugs (File #E-13393, File #E-3810)
- UL Test 498
- CSA Certified for copper or aluminum conductors (File #152105); CSA Test 42
- NOM Certified (#057)
- Meets NEMA and ANSI standards
- Backed by a Limited 10-Year Warranty

MATERIAL CHARACTERISTICS

Environmental: Flammability, Rated V2
 Operating Temperature: From -40° C (without impact) to 75° C maximum continuous



Power Devices

50 AMP 125/250V 3-Pole 3-Wire Non-Grounding

DESCRIPTION	CAT. NO.	WALLPLATE INFORMATION
Flush Mount Receptacle	5206† 10-50R	Fits all wallplates with 2.15" diameter center hole. See Section G for more information.
Surface Mount Receptacle	5050	
Matching Angle Plug	9450-P 10-50P	

50 AMP 125/250V 3-Pole 4-Wire Grounding

DESCRIPTION	CAT. NO.	WALLPLATE INFORMATION
Flush Mount Receptacle	279† 14-50R	Fits all wallplates with 2.15" diameter center hole. See Section G for more information. See page D7 for dimensional drawing
Panel Mount Receptacle	279-PM	
Surface Mount Receptacle	55050	
Matching Angle Plug	9452-P 14-50P	

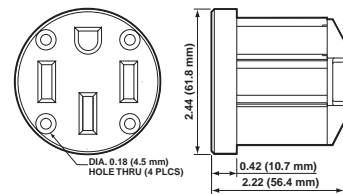
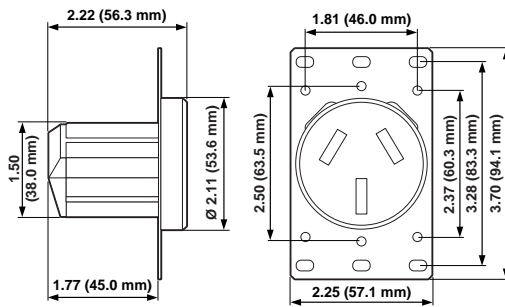
50 AMP 250V 3Ø 3-Pole 4-Wire Grounding

DESCRIPTION	CAT. NO.	WALLPLATE INFORMATION
Flush Mount Receptacle	8450†† 15-50R	Fits wallplates with 2.465" diameter center hole. See Section G for more information.
Flush Mount Receptacle Isolated Ground	8450-IG	As above
Matching Angle Plug	8452-P 15-50P	

†Matching single-gang wallplate: Cat. Nos. 84206, 84028. Matching Industrial Weather-Resistant cover: Cat. No. WP2.

††Matching single-gang wallplate: Cat. No. S701-40

All devices are UL Listed and CSA Certified.



3-POLE, 4-WIRE GROUNDING
 Cat. No. 279-PM (shown)
 Cat. No. 278-PM (same as 279, except for NEMA configuration)

