



Power Devices

30 AMP 125/250V 3-Pole 4-Wire Grounding

DESCRIPTION	CAT. NO.	WALLPLATE INFORMATION
Flush Mount Receptacle	278† 14-30R	Fits all wallplates with 2.15" diameter center hole. See Section G for more information.
Panel Mount Receptacle	278-PM	See page D9 for dimensional drawing
Surface Mount Receptacles	55054	
Matching Angle Plug	9432-P 14-30R	

30 AMP 250V 3Ø 3-Pole 4-Wire Grounding

DESCRIPTION	CAT. NO.	WALLPLATE INFORMATION
Flush Mount Receptacle	8430†† 15-30R	Fits 2-gang wallplates w/2.465" diameter center hole. See Section G for more information.
Matching Angle Plug	8432-P 15-30P	

30 AMP 120/208V 3ØY 4-Pole 4-Wire Non-Grounding

DESCRIPTION	CAT. NO.	WALLPLATE INFORMATION
Flush Mount Receptacle	8330†† 18-30R	Fits 2-gang wallplates w/2.465" diameter center hole. See Section G for more information.
Matching Angle Plug	8332-P 18-30R	

†Matching single-gang wallplate: Cat. Nos. 84026, 84028.
 ††Matching single-gang wallplate: Cat. No. S701-40
 All devices are UL Listed and CSA Certified.



SPECIFICATIONS & FEATURES

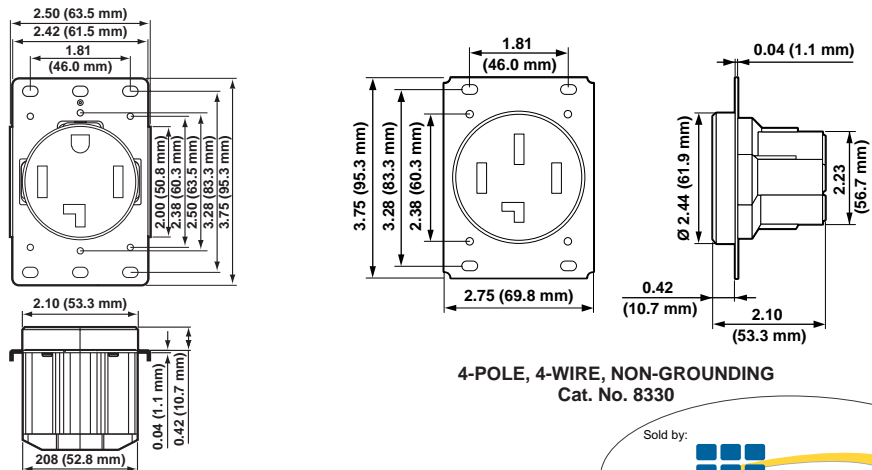
- Made of durable thermoplastic
- Heavy-gauge, double-wipe copper alloy contacts
- Easy-to-wire terminals accept up to No. 4 AWG conductors
- Terminal marked for easy identification and fast wiring
- All mounting hardware included
- Flush-mount devices fit single or two-gang outlet boxes
- Surface mount devices are COMMERCIAL GRADE and have concentric knockouts for 3/4" and 1" conduit and adjustable cord clamp and back and bottom entrance of cable

TESTING & CODE COMPLIANCE

- UL Listed for copper or aluminum conductors (File #E-13399); Angle Plugs (File #E-13393, File #E-3810)
- UL Test 498
- CSA Certified for copper or aluminum conductors (File #152105); CSA Test 42
- NOM Certified (#057)
- Meets NEMA and ANSI standards
- Backed by a Limited 10-Year Warranty

MATERIAL CHARACTERISTICS

Environmental: Flammability, Rated V2
 Operating Temperature: From -40° C (without impact) to 75° C maximum continuous



3-POLE, 4-WIRE GROUNDING
 Cat. No. 278 (shown)

Cat. No. 279 (same as 278, except for NEMA configuration)

4-POLE, 4-WIRE, NON-GROUNDING
 Cat. No. 8330

