

## Power Devices

### 30 AMP 250V 2-Pole 3-Wire Grounding

DESCRIPTION	CAT. NO.	WALLPLATE INFORMATION
Flush Mount Receptacle	5372†	Fits all wallplates with 2.15" diameter center hole. See Section G for more information.
	6-30R	
Flush Mount Receptacle Isolated Ground	5372-IG	As above
Surface Mount Receptacle	5376	
Matching Angle Plug	9630-P	
	6-30P	



5372

### 30 AMP 277V 2-Pole 3-Wire Grounding

DESCRIPTION	CAT. NO.	WALLPLATE INFORMATION
Flush Mount Receptacle	9730-A†	Fits all wallplates with 2.15" diameter center hole. See Section G for more information.
	7-30R	
Matching Angle Plug	9730-P	
	7-30P	



5207

### 30 AMP 125/250V 3-Pole 3-Wire Non-Grounding

DESCRIPTION	CAT. NO.	WALLPLATE INFORMATION
Flush Mount Receptacle	5207†	Fits all wallplates with 2.15" diameter center hole. See Section G for more information.
	10-30R	
Surface Mount Receptacle	5054	
Matching Angle Plug	9332-P	
	10-30P	

## SPECIFICATIONS & FEATURES

- Made of durable thermoplastic
- Heavy-gauge, double-wipe copper alloy contacts
- Easy-to-wire terminals accept up to No. 4 AWG conductors
- Terminals marked for easy identification and fast wiring
- All mounting hardware included
- Flush-mount devices fit single or two-gang outlet boxes
- Surface-mount devices are COMMERCIAL GRADE and have concentric knockouts for 3/4" and 1" conduit and adjustable cord clamp for back and bottom entrance of cable

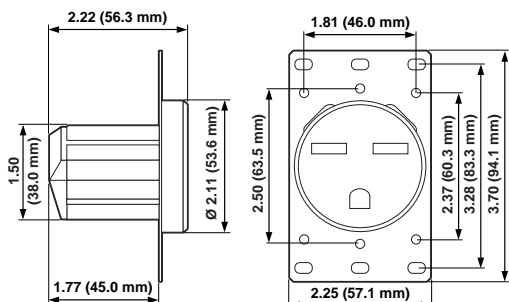
## TESTING & CODE COMPLIANCE

- UL Listed for copper or aluminum conductors (File #E-13399); Angle Plugs (File #E-13393, File #E-3810)
- UL Test 498
- CSA Certified for copper or aluminum conductors (File #152105); CSA Test 42
- NOM Certified (#057)
- Meets NEMA and ANSI standards
- Backed by a Limited 10-Year Warranty

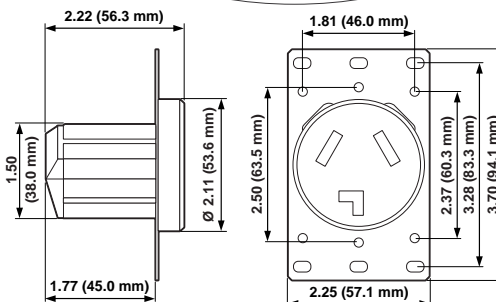
## MATERIAL CHARACTERISTICS

Environmental: Flammability, Rated V2  
 Operating Temperature: From -40° C (without impact) to 75° C maximum continuous

†Matching single-gang stainless steel wallplate: Cat. No. 84028.  
 Matching Industrial Weather-Resistant cover: Cat. No. WP2.  
 Matching two-gang stainless steel wallplate: Cat. No. 84026.  
 Matching two-gang nylon wallplate: Cat. No. 80728.  
 All devices are UL Listed and CSA Certified.



2-POLE, 3-WIRE GROUNDING  
 Cat. No. 5372



3-POLE, 3-WIRE NON-GROUNDING  
 Cat. No. 5207