

Industrial Grade

Straight Blade Receptacles

Four-In-One 2-Pole 3-Wire Grounding (Basic Cat. No. denotes Brown device, except Isolated Ground devices-Basic Cat. No. denotes Orange device)

DESCRIPTION	CAT. NO./COLOR* 15A-125V	CAT. NO./COLOR* 20A-125V
	5-15R	5-20R
Nylon Four-in-One Receptacle	1254 I, W, GY, R, E	21254 I, W, GY, R, E, Y
Nylon Hospital Grade Four-in-One Receptacle	1254-H I, W, R	21254-H I, W, GY, R
Nylon Hospital Grade/Isolated Ground Four-in-One Receptacle	1254-IG I	21254-IG I, W
Nylon Surge Protective Four-in-One Receptacle	5480 I, W, GY, BU (No Brown)	5490 I, W, GY, BU (No Brown)
Nylon Surge Protective/Isolated Ground Four-in-One Receptacle	5480-IG I, B	5490-IG I, B
Nylon Hospital Grade/Isolated Ground Surge Protective Four-in-One Receptacle	8480-IG I, W, B	8490-IG I, W, B
Nylon Hospital Grade Surge Protective Four-in-One Receptacle	8480 I, W, R (No Brown)	8490 I, W, R (No Brown)



Four-In-One Adapter Plates

CAT. NO.	COLOR*
3254	(Basic Cat. No. Denotes Brown) I, W, GY, R, E, OR, BLU

Four-In-One Portable Boxes

CAT. NO.	COLOR*
4254	(No Brown) I, GY, E, OR, Y

Portable boxes are not UL Listed. UL Listing does not apply when Four-in-One Receptacles are used with portable boxes for extension cord applications.

All devices are UL Listed and CSA Certified.

- Termination anchor holes for easy conductor wiring
- Deep cut mill-slotted screws resist slippage
- Exclusive shield-wall design protects ground connection from contact with live circuit conductors
- "A" and "B" molded on face and back for easy identification of receptacle pairs for split-circuit conversion
- Convenient built-in strip-gauge

TESTING & CODE COMPLIANCE

- UL Listed 498 for Hospital Grade (UL File #13399); UL Federal Specification WC-596; UL Listed Adapter Plates (File #E-13397)
- CSA Certified where applicable (CSA File #152105); CSA Certified Adapter Plates (File #LR-16347)
- NOM Certified (#057)
- Complies with NEMA WD-1 & 6, and ANSI standards
- Backed by a Limited 10-Year Warranty

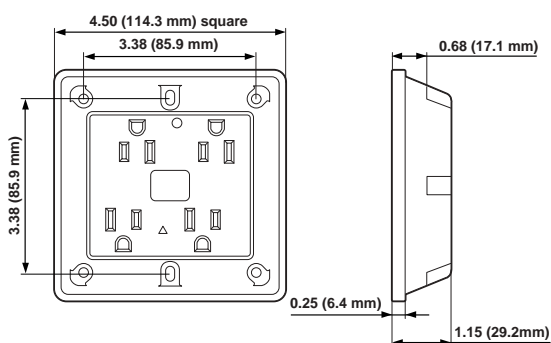
*COLOR

Basic Cat. Nos. denote Brown device, except for Isolated Ground (-IG) devices-Basic Cat. No. denotes Orange. Isolated Ground receptacle distinguished by orange triangle on its face. For other color selections, add suffix to the catalog number as follows: Ivory (-I), White (-W), Red (-R), Gray (-G or -GY), Black (-E), Orange (For adapter plates and portable boxes only, -OR), Blue (-BU, -BLU, -B) and Yellow (-Y).

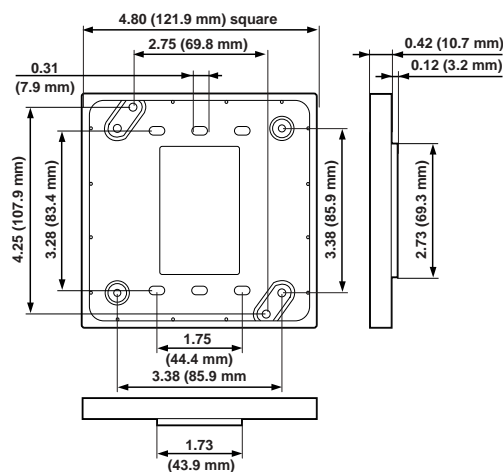
MATERIAL CHARACTERISTICS

Environmental: Flammability, Rated V2
Operating Temperature: From -40° C (without impact) to 60° C maximum continuous

See Section R for Leviton's full line of Surge Protective Devices.



**HOSPITAL GRADE/ISOLATED GROUND
NYLON FOUR-IN-ONE RECEPTACLE**
Cat. No. 1254-IG



FOUR-IN-ONE ADAPTER PLATE
Cat. No. 3254

SPECIFICATIONS & FEATURES

- Terminal wiring screws fit inside a standard single-gang wallbox; adapter plate not required (optional)
- Heavy-impact nylon cover and base for strength and resistance to chemicals and corrosives
- Smooth face; easy to clean surface

- Easy-to-read voltage and amperage rating molded onto face
- Heavy-duty, T-type triple-wipe bronze contacts for maximum performance
- Ground holes configured up or down to be outside the device, accommodating up to 4 Fed Spec size straight or angle plugs
- No. 8 terminal screws accept up to No. 12 solid or stranded copper wire

