

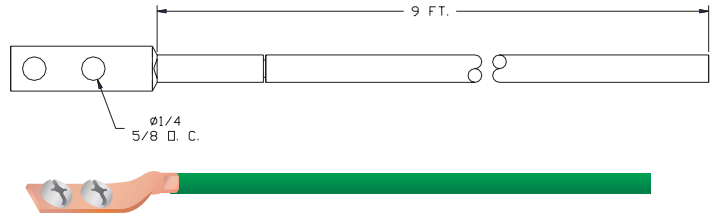
Product Information Sheet

GROUND JUMPER

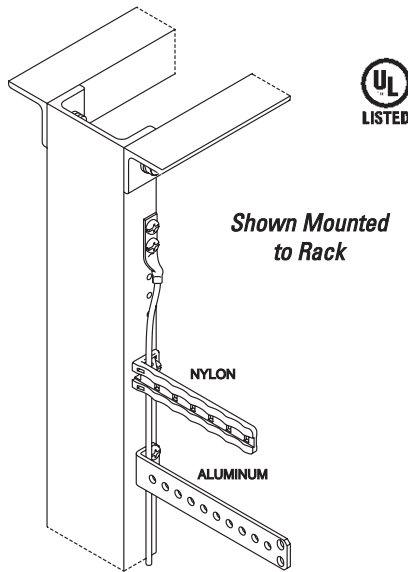
Sold by:



Ground Jumpers provide common grounding from equipment rack or cabinet to halo conductor. Can be used with CPI "L" Brackets (P/N 10001-001 or 10559-500) to attach cable run vertically along equipment rack or cabinet. Ground jumpers are constructed of a 9'-long #67 AWG green insulated stranded copper conductor attached to a compression lug with two 1/4" bolt holes spaced on 5/8" centers.



- Available individually or in packages of 10
- Constructed of UL Listed components
- Replaces CPI P/N 41016-00X and 41026-00X
- Other configurations available on request



Part Number	Description	Unit	Shipping Weight
40159-009	9' Green Jumper	1	2 lb
40159-019	9' Green Jumper	10	20 lb

800-834-4969 in U.S. & Canada • www.chatsworth.com



CHATSWORTH PRODUCTS, INC.

©2003 Chatsworth Products, Inc. All rights reserved. CPI is a registered trademark of Chatsworth Products, Inc. All other trademarks belong to their respective companies. 06/03