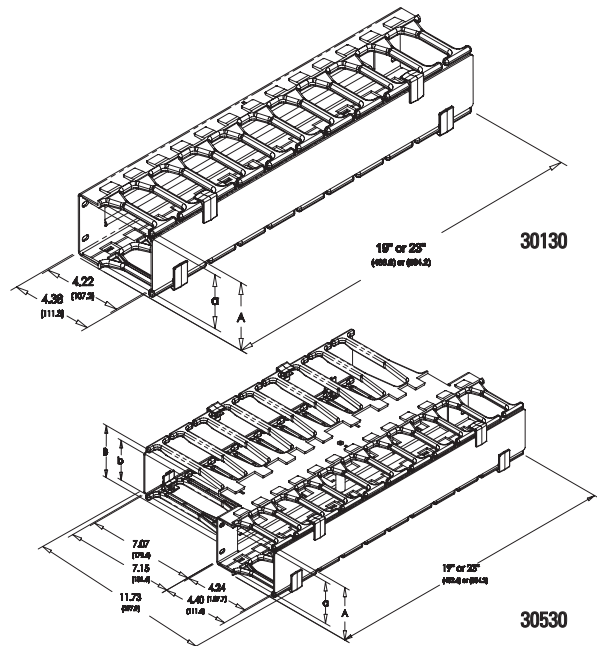


# Product Information Sheet

## UNIVERSAL HORIZONTAL CABLE MANAGER

Provides an attractive and highly functional horizontal pathway for patch cords and multimedia applications using coax, copper and fiber optic cables. Patch cords may also be routed to the back of the rack through the flanged pass-through slot. After routing the cables or cords, simply snap-on the hinged cover for a clean, professional appearance.

- Single-sided designs manage patch cords.  
Double-sided designs manage patch cords and premise cables.
- Use with CPI's Vertical cabling sections to create a complete cable management system.
- Patented cable guide fingers ensure proper cable bend and withstand wear.
- Snap-on, hinged covers create a professional look.



Part Number		Cable Fill Area	Cable Fill (50%)		
19"	23"		Cat 5e	Cat 6	Cat 6a
30139-719	30139-723	4.30 (2774.2)	57	36	28
30130-719	30130-723	11.69 (7541.9)	154	99	75
30131-719	30131-723	19.07 (12 303.2)	251	162	122
30339-719	30339-723	5.63(3632.3)	74	48	36
30330-719	30330-723	15.29 (9864.5)	201	130	98
30331-719	30331-723	24.95 (16 096.8)	328	211	160
30529-719 (Front/Rear)	30529-723 (Front/Rear)	4.24(2735.5)	56	36	27
		6.01 (3877.4)	79	51	39
30530-719 (Front/Rear)	30530-723 (Front/Rear)	11.66 (7522.6)	153	99	75
		18.38 (11 858.1)	242	156	118
30531-719 (Front/Rear)	30531-723 (Front/Rear)	19.08(12 309.7)	251	162	122
		31.39 (20 251.7)	413	266	201

Part Number		Dimensions			
19"	23"	A	a	B	b
30139-719	30139-723	1.73 (43.9)	1.02 (25.9)		
30130-719	30130-723	3.48 (88.4)	2.77 (70.4)		
30131-719	30131-723	5.23 (132.8)	4.52 (114.8)		
30339-719	30339-723	1.73 (43.9)	1.02 (25.9)		
30330-719	30330-723	3.48 (88.4)	2.77 (70.4)		
30331-719	30331-723	5.23 (132.8)	4.52 (114.8)		
30529-719	30529-723	1.73 (43.9)	1.00 (25.4)	1.67 (42.4)	0.85 (21.6)
30530-719	30530-723	3.46 (87.9)	2.75 (69.9)	3.42 (86.9)	2.60 (66.0)
30531-719	30531-723	5.23 (132.8)	4.50 (114.3)	5.17 (131.3)	4.44 (112.8)

Double-Sided Cable Manager		
Part Number	Description	Shipping Weight
30529-719	19"W x 11.73"D x 1 RMU, Black	5 lb
30529-723	23"W x 11.73"D x 1 RMU, Black	6 lb
30530-719	19"W x 11.73"D x 2 RMU, Black	6 lb
30530-723	23"W x 11.73"D x 2 RMU, Black	7 lb
30531-719	19"W x 11.73"D x 3 RMU, Black	6 lb
30531-723	23"W x 11.73"D x 3 RMU, Black	7 lb

Single-Sided Cable Manager		
Part Number	Description	Shipping Weight
30139-719	19"W x 4.96"D x 1 RMU, Black	2 lb
30139-723	23"W x 4.96"D x 1 RMU, Black	3 lb
30130-719	19"W x 5.14"D x 2 RMU, Black	3 lb
30130-723	23"W x 5.14"D x 2 RMU, Black	4 lb
30131-719	19"W x 5.14"D x 3 RMU, Black	4 lb
30131-723	23"W x 5.14"D x 3 RMU, Black	5 lb
30339-719*	19"W x 6.26"D x 1 RMU, Black	3 lb
30339-723*	23"W x 6.26"D x 1 RMU, Black	3 lb
30330-719*	19"W x 6.44"D x 2 RMU, Black	4 lb
30330-723*	23"W x 6.44"D x 2 RMU, Black	5 lb
30331-719*	19"W x 6.44"D x 3 RMU, Black	5 lb
30331-723*	23"W x 6.44"D x 3 RMU, Black	6 lb

Note: The deep panel is used when Double-Sided MCS Master Cabling Sections are center-mounted on 3"D Racks.

800-834-4969 in U.S. & Canada • www.chatsworth.com



CHATSWORTH PRODUCTS, INC.

©2003 Chatsworth Products, Inc. Rev. 09/06/NB