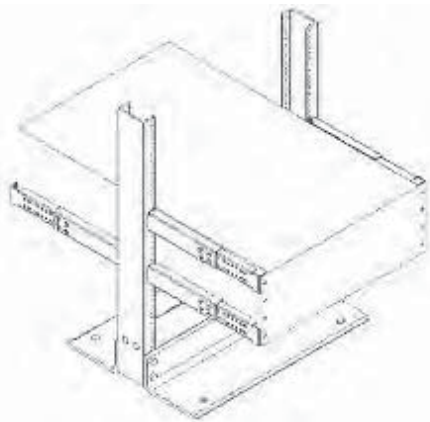
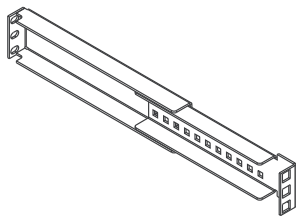


A split-pan design provides a broader surface area to support server weight



anyServer Bracket shown on rack with server and optional Server Support Arms



Optional Server Support Arm

anyServer Bracket

The anyServer Bracket is a simple, yet sturdy solution to secure virtually any server to a 19"W, two-post open rack. It is the ideal, cost-effective system for retrofitting existing racks to accommodate one or more servers instead of reverting to a four-post rack or cabinet system. The anyServer Bracket can be adjusted to fit all of your server's requirements enabling you to keep the same mounting system — even if you change equipment in the future.

Purchase optional Supplementary Server Support Arms to firmly secure the tops of tall servers to the rack. In some instances, they can also help you mount your server if its captive screw holes are in the middle or top of the device.

The anyServer Bracket comes with front and rear steel pans and four steel adjustable arms (with mounting hardware).

- Manufactured from cold rolled steel
- The server can be positioned 9" to 13" (230 mm to 330 mm) in front of the rack channel; mounting arms extend 4" (100 mm) total in .5" (10 mm) increments
- Square holes at the front of adjustable mounting arms for cage nuts (sold separately)
- Acorn nuts eliminate sharp edges
- Supplementary arms (purchased separately) provide extra support
- Load rating:
 - 1U bracket is 80 lb (36.3 kg)
 - 2U bracket is 120 lb (54.4 kg)
- Rack mounting hardware is not included

Part Number	Description H x W (in)	Shipping Weight lb (kg)
12751-719	1U x 19, Black Bracket	11 (5.0)
12752-719	2U x 19, Black Bracket	14 (6.4)
12759-701	Supplementary Server Support Arms, Fixed, 1 Pair, 1U, Black	3 (1.4)

Square-Punched Hardware Kits (sold separately)				
Part Number	Nominal Size	Package Of	Finish	Shipping Weight lb (kg)
12637-001	M-6	25	Gold Over Zinc	1 (0.5)
12638-001	10-32	25	Zinc	1 (0.5)
12639-001	12-24	25	Black	1 (0.5)