

Industrial Grade



Straight Blade Receptacles

Hospital Grade

Back and Side Wired (Basic Cat. No. Denotes Brown Device*)

DESCRIPTION	CAT. NO./COLOR 15A/125V	CAT. NO./COLOR 15A/250V	CAT. NO./COLOR 20A/125V	CAT. NO./COLOR 20A/250V
	5-15R	6-15R	5-20R	6-20R
Duplex Receptacle	8200 I, W, GY, R	8600 I	8300 I, W, GY, R, E	8400 I
Single Receptacle	8210 I, W, R	—	8310 I, W, GY, R	—
Slim Design Receptacle	8200-H I, W, GY, R	—	8300-H I, W, GY, R	—
Duplex Receptacle, Tamper-Resistant	8200-SG I, W, G, R	—	8300-SG I, W, G, R	—
Illuminated Duplex Receptacle	8200-HL I, W, G, R, No Brown	—	8300-HL I, W, R, No Brown	—
Pilot Light Duplex Receptacle	8200-PL I, W, R, No Brown	—	8300-PL I, W, R, No Brown	—

Note: Single, Slim Design, Illuminated, Pilot Light and Tamper-Resistant Receptacles meet specifications for UL Hospital Grade listing but have a different construction and design from standard Hospital Grade Duplex Receptacles listed above.

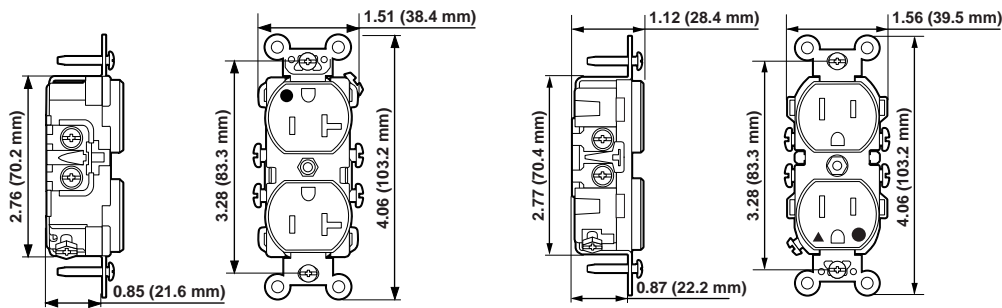
Isolated Ground Receptacles (Basic Cat. No. Denotes Orange Device*)

DESCRIPTION	CAT. NO./COLOR 15A/125V	CAT. NO./COLOR 15A/250V	CAT. NO./COLOR 20A/125V	CAT. NO./COLOR 20A/250V
Duplex Receptacle	8200-IG B, I, W, G, R	—	8300-IG B, I, W, G, R	—
Duplex Receptacle w/6" Ground Lead	8200-LIG Orange Only	—	8300-LIG Orange Only	—
Single Receptacle	8210-IG Orange Only	—	8310-IG Orange Only	—

Wallplates for Isolated Ground Receptacles (Engraved with "Isolated Ground")

DESCRIPTION	CAT. NO.	COLOR*
1-Gang 1-Duplex Receptacle	80703-IG	I, W
1-Gang 1-Single Receptacle with 1.406" dia. hole	80704-IG	Orange Only

All devices are UL Listed and CSA Certified.



HOSPITAL GRADE
Cat. No. 8300

HOSPITAL GRADE ISOLATED GROUND
Cat. No. 8200-IG



8300-SGR



8200-PLR

SPECIFICATIONS & FEATURES

- Impact-resistant thermoplastic nylon cover and body
- Smooth face does not collect dirt
- Four corner latches securely fasten face
- Large, triple-wipe, brass "T" contacts for superior contact and conductivity
- High-performance brass #10-32 terminal screws to reduce conductor oxidation
- Back and side-wire ground termination-brass strap version
- Back and side-wiring options
- Break-off tabs for easy two-circuit conversion
- Apron barrier to prevent accidental contact between terminal screw heads and metal box
- Exclusive V-shaped, serrated back-wiring clamps for superior contact

TESTING & CODE COMPLIANCE

- UL Listed 498 for Hospital Grade (UL File #13399); UL Federal Specification WC-596
- CSA Certified (CSA File #152105)
- NOM Certified (#057)
- Meets NEMA WD-1 & 6, and ANSI standards
- Backed by a Limited 10-Year Warranty

*COLOR

Basic Cat. Nos. shown above denote Brown for Hospital Grade and Orange for Isolated Ground (-IG) Devices. Isolated Ground Receptacle is distinguished by an orange triangle on its face. For other color selections, add suffix to the catalog number as follows: Ivory (-I), White (-W), Brown (for IG devices only, add -B), Red (-R), Gray (-G or -GY) and Black (-E).

MATERIAL CHARACTERISTICS

Environmental: Flammability, Rated V2
Operating Temperature: From -40° C (without impact) to 60° C maximum continuous



See Page D4 for Leviton's full line of Four-In-One Receptacles.

See Section R for Leviton's full line of Surge Protective Devices.