

## PRODUCT SPECIFICATIONS / INFO

**LEVITON**



### 8200-I

**UPC Code:** 07847781857

**Country of Origin:** United States - *\*Eligible for ARRA funded projects*

#### **Description**

15 Amp, 125 Volt, NEMA 5-15R, 2P, 3W, Extra Heavy Duty Hospital Grade, Duplex Receptacle, Straight Blade, Self Grounding, Back & Side Wired, 8 Hole Feed-Thru - IVORY

#### **Product Features**

NEMA: 5-15R

Color: Ivory

**Color:** Ivory



**NEMA:** 5-15R



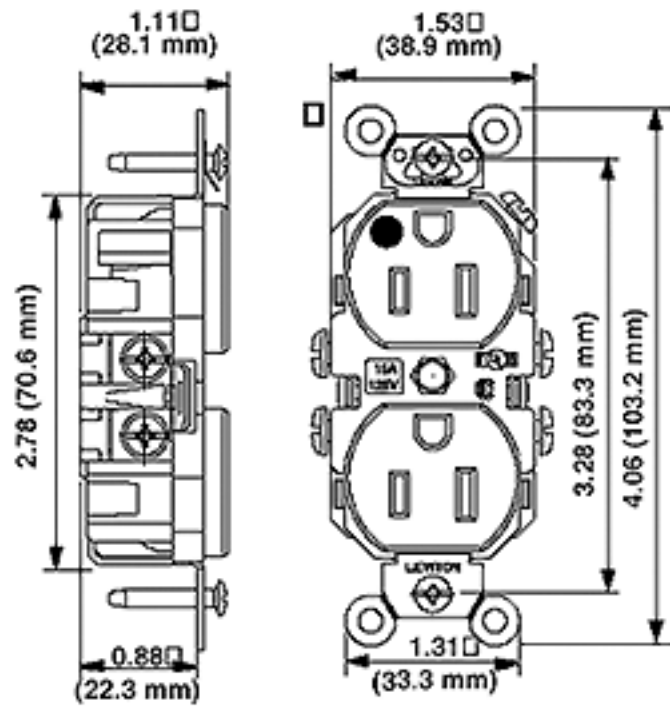
*\*Disclaimer*

AC Horsepower Ratings	
Horsepower Rating	1/2 HP
Environmental Specifications	
Flammability	Rated V-2 per UL94
Operating Temperature	-40C to 60C
Mechanical Specifications	
Terminal ID	Brass-Hot, Green-Ground, Silver-Neutral
Terminal Accom.	14-10 AWG
Product ID	Markings are permanently marked on device
Torque Range	14-16 inch pounds

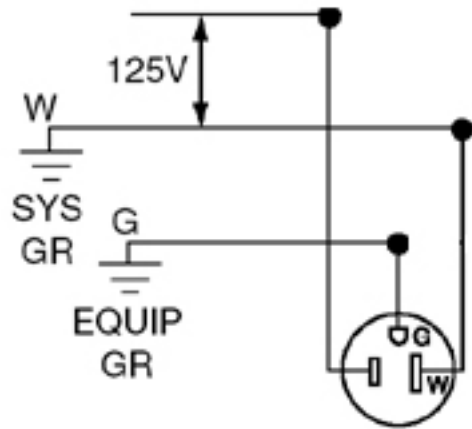
Electrical Specifications	
Amperage	15 Amp
Voltage	125 Volt
NEMA	5-15R
Pole	2
Wire	3
Grounding	Self Grounding
Dielectric Voltage	Withstands 2000V per UL498
Current Limiting	Full Rated Current
Temperature Rise	Max 30C after 250 cycles OL at 200 percent rated current

Material Specifications	
Body Material	Nylon
Face Material	Nylon
Strap Material	Nickel-Plated Brass
Line Contacts	Nickel-Plated Brass Triple-Wipe .040 Thick
Terminal Screws	Nickel-Plated Brass 10-32
Grounding Screw	Plated Brass
Ground Clips	Nickel-Plated Brass
Clamp Nuts	Zinc-Plated Steel
Color	Ivory

Standards and Certifications	
NEMA	WD-6
ANSI	C-73
UL498HG	File E13399
UL Fed Spec WC-596	File E13399
CSA C22.2 No. 42	File 152105
NOM	057
Warranty	10-Year Limited
RoHS	Non-Compliant



**Wiring Diagram**



**5-15R**

**SPECIFICATION SUBMITTAL**

JOB NAME:	CATALOG NUMBERS:	
JOB NUMBER:		

**Leviton Manufacturing Co., Inc.**

201 North Service Road, Melville, NY 11747

Telephone: 1-800-323-8920 · FAX: 1-800-832-9538 · Tech Line (8:30AM-7:30PM E.S.T. Monday-Friday): 1-800-824-3005

**Leviton Manufacturing of Canada, Ltd.**

165 Hymus Boulevard, Pointe Claire, Quebec H9R 1E9 · Telephone: 1-800-469-7890 ·

FAX: 1-800-824-3005 · [www.leviton.com/canada](http://www.leviton.com/canada)

**Leviton S. de R.L. de C.V.**

Lago Tana 43, Mexico DF, Mexico CP 11290 · Tel.: (+52)55-5082-1040 · FAX: (+52)5386-1797 ·

[www.leviton.com.mx](http://www.leviton.com.mx)



**Visit our Website at: [www.leviton.com](http://www.leviton.com)**

© 2007-2011 Leviton Manufacturing Co., Inc. All rights reserved. Subject to change without notice.

**Leviton has a global presence.**

If you would like to know where your local Leviton office is located please go to:

[www.leviton.com/international/contacts/](http://www.leviton.com/international/contacts/)

*\*Buy American Compliant Logo -- The American Recovery And Reinvestment Act of 2009 ("ARRA") provides federal grants and loans for projects throughout the country. Section 1605 of the Act, named the "Buy American" provision, requires that certain materials and manufactured products used in projects funded by the Act be manufactured in the United States. The appearance of the Recovery Act Logo in relation to a Leviton product is only intended to reflect that such product may be used in an ARRA funded project. It does not mean that such product or Leviton is sponsored or endorsed by, or that Leviton receives funds from, the federal government or the Recovery Accountability and Transparency Board. Nothing in Leviton's use of the logo is intended to suggest anything regarding the requirements for funding under ARRA.*