

# Residential Grade AC Quiet Switches



1451-1

## Quickwire and Side Wired Framed Toggle 15 AMP 120V AC Quiet Switches

DESCRIPTION	CAT. NO.	COLOR* <small>Basic Cat. No. Denotes Brown</small>
Single-Pole	1451	15A: I, W
3-Way	1453	15A: I, W
Single-Pole with grounding screw	1451-2	15A: I, W, A, E
3-Way with grounding screw	1453-2	15A: I, W, A, E
4-Way with grounding screw	54504-2	15A: I, W, A
Single-Pole, less ears with grounding screw	1451-4	15A: I, W
3-Way, less ears with grounding screw	1453-4	15A: I, W

Note: Available in Convenience Packs.



1461-LHC

## Quickwire and Side Wired Illuminated Toggle 15 AMP 120V AC

DESCRIPTION	CAT. NO.	COLOR*
Single-Pole Illuminated	1461-LHC	Clear Toggle
3-Way Illuminated	1463-LHC	Clear Toggle

Note: Illuminated switches do not require a neutral wire.

## CO/ALR Side Wired Framed Toggle

### 15 AMP 120V AC



DESCRIPTION	CAT. NO.	COLOR* <small>Basic Cat. No. Denotes Brown</small>
Single-Pole with grounding screw	2651-2	15A: I, W
3-Way with grounding screw	2653-2	15A: I, W

Note: CO/ALR devices are for connection to 12 or 10 AWG aluminum conductors. All devices are UL Listed and CSA Certified.

### SPECIFICATIONS & FEATURES

- Faster installation with combination of side wiring and Quickwire push-in wiring
- Quickwire accepts conductors up to #12 AWG; #14 AWG in Canada
- Side wire accepts conductors up to #12 AWG
- Large head triple-drive combination screws (Standard, Phillips, Robertson) for fast wiring installation
- Impact-resistant, durable thermoplastic toggle and frame
- See section T for more technical information

### TESTING & CODE COMPLIANCE

- UL Listed (File # E-7458)
- CSA Certified (File #LR-3413)
- NOM Certified (#057)
- Backed by a Limited Two-Year Warranty

### \*COLOR

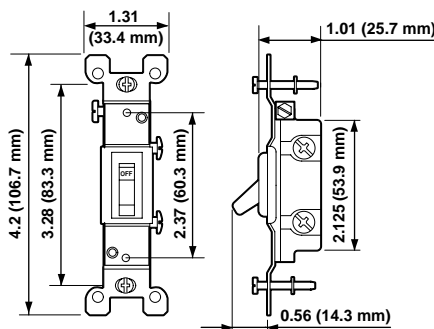
Basic Cat. Nos. shown above denote Brown color. Other colors available as listed, add suffix to catalog number as follows: Ivory (-I), White (-W), Almond (-A), Black/Ebony (-E), Clear Toggle & Frame (-LHC)

### HORSEPOWER

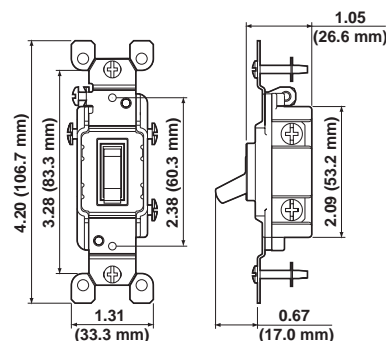
15A  
1/2 @ 120V  
2 @ 240V

### MATERIAL CHARACTERISTICS

Environmental: Flammability, Rated V2  
Operating Temperature: -40°C to 65°C.



QUICKWIRE PUSH-IN & SIDE WIRED  
Cat. Nos. 1451-2



3-WAY QUICKWIRE PUSH-IN & SIDE WIRED  
Cat. No. 1452-2

For more information regarding matching wallplates, colors, materials, single and multi-gang, refer to Wallplates, section G.