



Sold by:



AC Quiet Switches

Back and Side Wired 120/277V AC Quiet Switches

DESCRIPTION	15 AMP	20 AMP	COLOR* <small>Basic Cat. No. Denotes Brown</small>
Single-Pole Toggle	CSB1-15	CSB1-20	15A & 20A: I, W, GY, A
Double-Pole Toggle	CSB2-15	CSB2-20	15A: I, W, GY 20A: I, W, GY, A
3-Way Toggle	CSB3-15	CSB3-20	15A & 20A: I, W, GY, A
4-Way Toggle	CSB4-15	CSB4-20	15A: I, W, A 20A: I, W, GY, A

Side Wired 120/277V AC Quiet Switches

DESCRIPTION	15 AMP	20 AMP	COLOR* <small>Basic Cat. No. Denotes Brown</small>
Single-Pole Toggle	CS115-2	CS120-2*	15A & 20A: I, W, GY, A
Single-Pole Hospital Call Switch†	5501-8	—	15A: Ivory Only
Double-Pole Toggle	CS215-2	CS220-2	15A: I, W, GY 20A: I, W, GY, A, E
Double-Pole Hospital Call Switch†	5502-8	—	15A: Ivory Only
3-Way Toggle	CS315-2	CS320-2	15A: I, W, GY, A 20A: I, W, GY, A, E
4-Way Toggle	CS415-2	CS420-2	15A: I, W, GY, A 20A: I, W, GY, A, E
Single-Pole, Framed Toggle	54501-2	54521-2	15A & 20A: I, W, GY
Double-Pole, Framed Toggle	54502-2	54522-2	15A: I, W 20A: I, W, GY
3-Way, Framed Toggle	54503-2	54523-2	15A & 20A: I, W, GY
4-Way, Framed Toggle	54504-2	54524-2	15A: I, W, GY, A 20A: I, W, GY

†Hospital Call Switches turn on when toggle is pulled down; have 3-foot braided cord.

Note: Cat. No. 54501-2 series is identified in Canada by the following catalog numbers:

Side Wired Canadian 120/277V AC Quiet Switches

DESCRIPTION	15 AMP	20 AMP	COLOR** <small>See Canadian Color</small>
Single-Pole, Framed Toggle	1101-C	54521-2	20A: I, W, B, G
Double-Pole, Framed Toggle	1102-C	54522-2	20A: I, W, B, G
3-Way, Framed Toggle	1103-C	54523-2	20A: I, W, B, G
4-Way, Framed Toggle	1104-C	54524-2	20A: I, W, B, G



CS120-2



54501-21

SPECIFICATIONS & FEATURES

- Large head double-drive combination screws (Standard, Phillips) for fast wiring
- Heavy-gauge, rust-resistant steel mounting strap
- Accept up to #10 copper or copper-clad wire
- Convenient break-off plaster ears for best alignment
- Large switch contacts for maximum conductivity
- See section T for more technical information

TESTING & CODE COMPLIANCE

- UL Listed to meet the latest Federal Specification, WS-896 (File #E-748)
- Meets all requirements for NEMA WD-1, ANSI
- CSA Certified (File #LR-3413)
- NOM Certified (#057)
- Backed by a Limited 10-Year Warranty

*COLOR

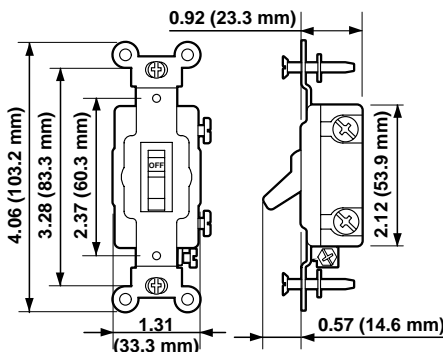
Basic Cat. Nos. shown above denote Brown color. Other colors available as listed, add suffix to catalog number as follows: Ivory (-I), White (-W), Gray (-GY), Almond (-A), Black (-E).

**CANADIAN COLOR

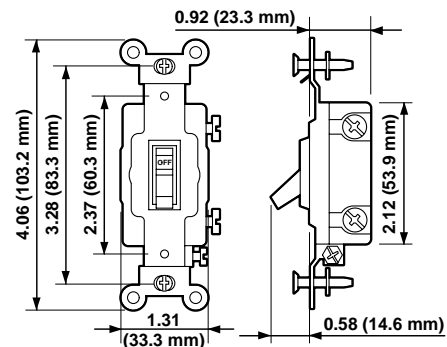
For color selection, add suffix to catalog number as follows: Ivory (-I), White (-W), Brown (-B), and Gray (-G).

HORSEPOWER

15A	20A
1/2 @ 120V	1 @ 120V
2 @ 240V	2 @ 240V



TOGGLE SWITCH
Cat. No. CS115-2, CS120-2



FRAMED TOGGLE
Cat. No. 54501-2, 54521-2

For more information regarding matching wallplates, colors, materials, single and multi-gang, refer to Wallplates, section G.