

AC Key Lock Power Switches



Industrial Grade

Back and Side Wired Key Lock Power Switches 20 AMP 120/277V AC

DESCRIPTION	CAT. NO.
Single-Pole Key Lock Power Switch, 2 keys provided	1221-2KL
Double-Pole Key Lock Power Switch, 2 keys provided	1222-2KL
3-Way Key Lock Power Switch, 2 keys provided	1223-2KL
4-Way Key Lock Power Switch, 2 keys provided	1224-2KL
Replacement Keys, 2 per pack	2KL
Single-Gang Type-302 Stainless Steel Wallplate, with spanner screws and spanner tool	84071-40

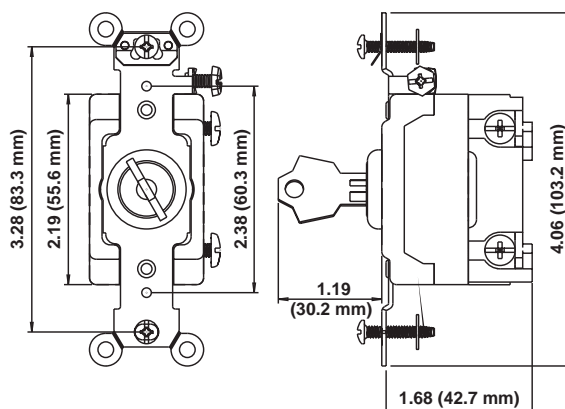


Two Keys per Switch



FD Box Recommended for Mounting Key Lock Power Switches — Shown with 84071-40 Type 302 Stainless Steel Wallplate

FD Box with a minimum internal depth of 2 1/2" (63.5 mm) is recommended for mounting Key Lock Power Switches — shallow wall box extender (Cat. No. 6197) available. Key Lock Power Switches are not recommended for use on Master or Emergency Power Systems.



FOR ALL KEY LOCK POWER TYPE SWITCHES

SPECIFICATIONS & FEATURES

- Key-operated locking mechanism for maximum tamper-proof operation in schools, institutions, public housing, trailer parks, loading docks, freight yards and other areas
- Chrome lock dome with 2 keys provided per switch
- Back and side wire terminals accept up to #14 – #10 AWG copper or copper clad wire
- Large, slotted terminal screws with clamp-type back-wire terminals
- Triple-combination mounting screws for fast, easy installation
- Heavy-gauge rust-resistant mounting strap with steel grounding screw and self-grounding clip (self grounding when used in a properly grounded metal wallbox)
- Key removable in ON or OFF positions

TESTING & CODE COMPLIANCE

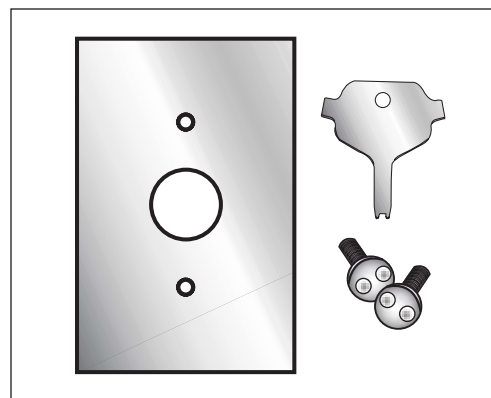
- Meets NEMA WD-1, WD-6 & ANSI requirements
- Meets Federal Specifications WS-896
- UL Listed (File #E-7458)
- CSA Certified (File #152105)
- NOM Certified (#057)
- Backed by a Limited Ten-Year Warranty

HORSEPOWER

15A	20A
1/2 @ 120V	1 @ 120V
2 @ 240V	2 @ 240V
12 Amp Max.	16 Amp Max.

MATERIAL CHARACTERISTICS

Environmental: Flammability, Rated V2
Operating Temperature: -40°C to 65°C



Cat. No. 84071-40 w/Spanner Screws & Spanner Tool

