

AC Switches

Side Wired 120/277V AC Quiet Switches

DESCRIPTION	15 AMP	20 AMP	COLOR*
			<i>Basic Cat. No. Denotes Brown</i>
Single-Pole Toggle	1101-2	1121-2	15A: I, W, GY 20A: I, W, GY, R
Single-Pole Locking†	1101-2L	1121-2L	15A & 20A: Brown Only
Double-Pole Toggle	1102-2	1122-2	15A: I 20A: I, W, GY
Double-Pole Locking	1102-2L	1122-2L	15A & 20A: Brown Only
3-Way Toggle	1103-2	1123-2	15A: I, W, GY 20A: I, W, GY, R
3-Way Locking†	1103-2L	1123-2L	15A & 20A: Brown Only
4-Way Toggle	1104-2	1124-2	15A: Ivory only 20A: I, W, GY, R
4-Way Locking†	1104-2L	1124-2L	15A & 20A: Brown Only

†Key for Locking Switch: Cat. No. 55500-PRT.



1101-2GY



1121-2L

SPECIFICATIONS & FEATURES

- Rugged construction for trouble-free service in industrial environments
- Heavy-gauge copper alloy one-piece arm for smooth, quiet, firm toggle action
- Large silver cadmium-oxide contacts for long life, prevent sticking, welding and excessive pitting
- Large head, deep-slotted terminal screws for fast, easy wiring; accept up to #10 copper and copper-clad wire
- See section T for more technical information

TESTING & CODE COMPLIANCE

- Meets all requirements for NEMA WD-1, ANSI
- UL Listed (File #E-7458) to meet the latest Federal Specification, WS-896
- CSA Certified (File #152105)
- NOM Certified (#057)
- Backed by a Limited 10-Year Warranty

*COLOR

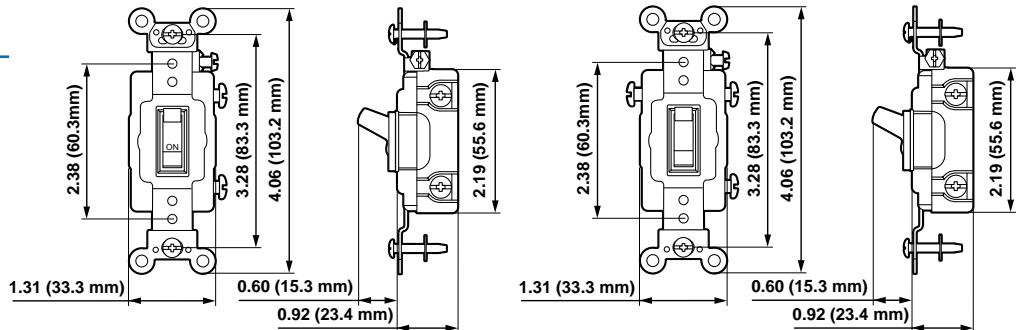
Basic Cat. Nos. shown above denote Brown color. Other colors available as listed, add suffix to catalog number as follows: Ivory (-I), White (-W), Gray (-GY), Red (-R), Black/Ebony (-E).

HORSEPOWER

15A	20A	30A
1/2 @ 120V	1 @ 120V	2 @ 120V
2 @ 240V	2 @ 240V	2 @ 240V
2 @ 277V	2 @ 277V	2 @ 277V

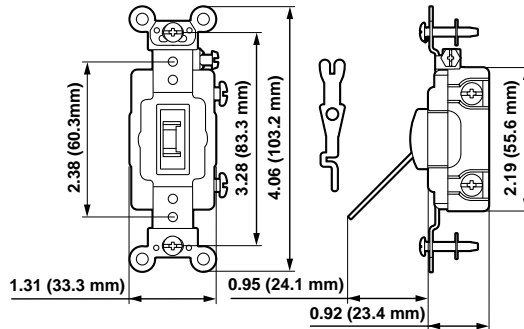
MATERIAL CHARACTERISTICS

Environmental: Flammability, Rated V2
Operating Temperature: -40°C to 65°C.



SINGLE-POLE TOGGLE
Cat. No. 1101-2, 1121-2

3-WAY TOGGLE
Cat. No. 1103-2, 1123-2



SINGLE-POLE LOCKING
Cat. No. 1101-2L, 1121-2L

For more information regarding matching wallplates, colors, materials, single and multi-gang, refer to Wallplates, section G.

