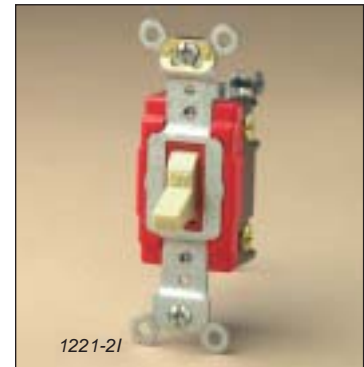


Back and Side Wired 120/277V AC Quiet Switches

DESCRIPTION	15 AMP	20 AMP	30 AMP	COLOR* <small>Basic Cat. No. Denotes Brown</small>
Single-Pole Toggle	1201-2	1221-2	3031-2	<b>15A:</b> I, W, GY, R <b>20A:</b> I, W, GY, R, E, A <b>30A:</b> I, W
Single-Pole Locking†	1201-2L	1221-2L	3031-2L	<b>15A:</b> I; <b>20A:</b> I, W, G, R
Double-Pole Toggle	1202-2	1222-2	3032-2	<b>15A:</b> I, W, GY <b>20A:</b> I, W, GY, R, E <b>30A:</b> I, W
Double-Pole Locking†	1202-2L	1222-2L	3032-2L	<b>20A:</b> I
3-Way Toggle	1203-2	1223-2	3033-2	<b>15A:</b> I, W, GY, R <b>20A:</b> I, W, GY, R, E <b>30A:</b> I, W
3-Way Locking†	1203-2L	1223-2L	3033-2L	<b>15A:</b> I <b>20A:</b> I, W, G
4-Way Toggle	1204-2	1224-2	—	<b>15A:</b> I, W, GY <b>20A:</b> I, W, GY, R, E
4-Way Locking†	1204-2L	1224-2L	—	<b>20A:</b> I, G, W
Single Pole Toggle	—	1221-S	—	<b>20A:</b> I, W, R, GY
3-Way Toggle	—	1223-S	—	<b>20A:</b> I, W, R, GY
4-Way Toggle	—	1224-S	—	<b>20A:</b> I, W, GY

†Key for Locking Switch: Cat. No. 55500-PRT.



Back and Side Wired Canadian 347V AC Quiet Switches

DESCRIPTION	15 AMP 347V AC	20 AMP 347V AC	COLOR** <small>See Canadian Color</small>
Single-Pole Toggle	18201	18221	<b>15A &amp; 20A:</b> I, W, B, R, G
Single-Pole Locking†	18201-L	18221-L	<b>15A &amp; 20A:</b> B only
Double-Pole Toggle	18202	18222	<b>15A:</b> I only <b>20A:</b> I, B
Double-Pole Locking†	18202-L	18222-L	<b>15A &amp; 20A:</b> B only
3-Way Toggle	18203	18223	<b>15A &amp; 20A:</b> I, W, B, R, G
3-Way Locking†	18203-L	18223-L	<b>15A &amp; 20A:</b> B only
4-Way Toggle	18204	18224	<b>15A:</b> I, B, R, G <b>20A:</b> I, B
4-Way Locking†	18204-L	18224-L	<b>15A &amp; 20A:</b> B only

†Key for Locking Switch: Cat. No. 55500-PRT.

SPECIFICATIONS & FEATURES

- Top-of-the-line industrial quality
- Heavy gauge copper alloy one-piece arm for top performance
- Large silver cadmium-oxide contacts for long life, prevent sticking, welding and excessive pitting
- Color-coded covers: 15 Amp-blue; 20 Amp-red; 30 Amp-green
- See Section T for more technical information

TESTING & CODE COMPLIANCE

- Meets all NEMA WD-1 & ANSI requirements
- Meets Federal Specification WS-896
- UL Listed (File #E-7458)
- CSA Certified (File #152105)
- NOM Certified (#057)
- Backed by a Limited 10-Year Warranty

\*COLOR

Basic Cat. Nos. shown above denote Brown color. Other color available as listed, add suffix to catalog number as follows: Ivory (-I), White (-W), Gray (-GY or -G), Red (-R), Black/Ebony (-E), Almond (-A). For locking switch colors, use the following suffixes: Ivory (-2L), White (-2WL), Gray (-2GL), Red (-2RL).

\*\*CANADIAN COLOR

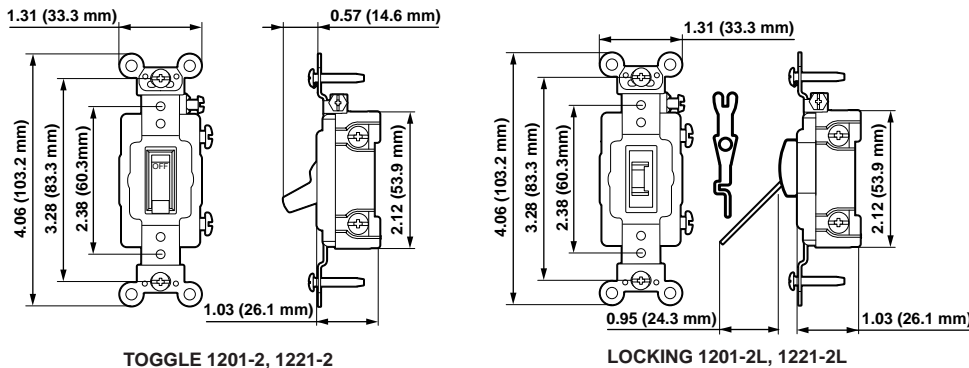
For color selection, add suffix to catalog number as follows: Ivory (-I), White (-W), Brown (-B), Red (-R), and Gray (-G).

HORSEPOWER

15A	20A	30A
1/2 @ 120V	1 @ 120V	2 @ 120V
2 @ 240V	2 @ 240V	2 @ 240V
2 @ 277V	2 @ 277V	2 @ 277V

MATERIAL CHARACTERISTICS

Environmental: Flammability, Rated V2  
 Operating Temperature: -40°C to 65°C.



For more information regarding matching wallplates, colors, materials, single and multi-gang, refer to Wallplates, section G.