



Residential Grade



DHC Powerline Carrier Wall Switch Receivers

DESCRIPTION

CAT. NO.

Multi-Location Incandescent Dimming Switch — Provides multi-station manual and remote switching and full-range dimming. When used with a 6294 Remote Switch equipped with Intellisense (gated automatic gain control) for outstanding performance and reliability.

Responds to ON, OFF, DIM, BRIGHT, and ALL LIGHTS ON/ALL OFF commands. Preset feature turns lights ON at last selected brightness level. Soft ON/Fade OFF feature provides eye-pleasing effect and extended bulb life. Protected memory maintains lighting level during minor power fluctuations. Built-in RFI filter. Wires easily into standard wall box. Packed with Ivory and White Rocker and Frame. Kits for other colors must be purchased separately (See Chart).

Rated: 120V AC 60Hz
500W max. Incandescent
60W min.

Note: To avoid overheating and possible damage to these units and other equipment, do not use the Cat. No. 6383 to control a receptacle, fluorescent lighting, motor-operated appliances or transformer-supplied loads. When the 6383 is ganged with any other device, the 6383 should not be loaded beyond 400W for a double-gang, or beyond 300W when three or more are ganged together.

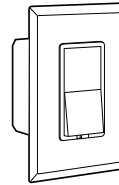
Single-Pole (One Location) Switch — Equipped with Intellisense (gated automatic gain control) and provides manual and remote ON/OFF control. Can be set to any of 256 DHC address codes to switch incandescent, inductive or resistive loads where dimming is not required. Responds to ON, OFF, ALL LIGHTS ON/ALL OFF commands. Wires easily into standard wall box using terminal screws. Neutral Connection Required. Pilot light is ON when switch is ON. Code wheels are located beneath rocker plate. Packed with Ivory and White Rocker and Frame. Kits for other colors must be purchased separately (See Chart). Requires Cat. No. 6287 when used with electronic loads such as compact fluorescent lamps.

Rated: 15A 120V AC 60Hz Incandescent, Inductive or Resistive

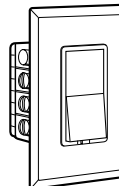
3-Way (Multi-Location) Switch — Equipped with Intellisense (gated automatic gain control). Provides manual and remote ON/OFF control in multi-station switching circuits when used in conjunction with one or more Cat. No. 6294 Remote Switches. The 6293 can be set to any of 256 DHC address codes to switch incandescent, inductive or resistive loads where dimming is not required. Responds to ON, OFF, ALL LIGHTS ON/ALL OFF commands. Wires easily into standard wall box using terminal screws. Neutral Connection Required. Pilot light is ON when switch is ON. Code wheels are located beneath rocker plate. For proper operation, the total length of traveler wire between Multi-Location Switch and Remote should not exceed 90 feet. Packed with Ivory and White Rocker and Frame. Kits for other colors must be purchased separately (See Chart).

Rated: 15A 120V AC 60Hz Incandescent, Inductive or Resistive

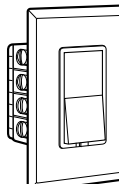
All devices are UL Listed and CSA Certified.



6383-WI
INTELLISENSE



6291-WI
INTELLISENSE



6293-WI
INTELLISENSE



6383-WI in 80301-W



6293-WI in 80301-W

SPECIFICATIONS & FEATURES

- Fit in standard wallboxes and replace regular switches to provide manual and remote ON/OFF switching of lighting and appliances. 6381-WI dimming switch rated for incandescent lighting only
- Leviton's exclusive Intellisense™ virtually eliminates signal problems due to line noise
- Use existing 60Hz 120V AC house wiring to add multi-location switching without resorting to complicated and costly conventional wiring means
- Decora styled to coordinate with Leviton's Decora line of wiring devices
- Backed by a Limited Two-Year Warranty

TESTING & CODE COMPLIANCE

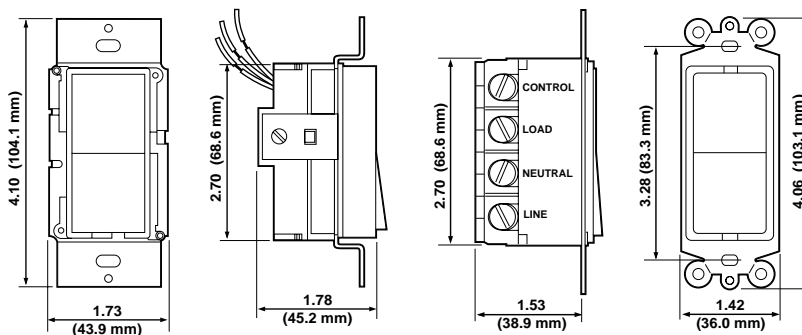
- UL Listed (File #E-66800)
- CSA Certified (File #LR-54628)
- UL 244A Tested (and others where appropriate)

COLOR

Colors available as indicated. See chart for Rocker and Frame Kits (must be purchased separately)

MATERIAL CHARACTERISTICS

Environmental: Flammability (Engineering Thermoplastic) UL-94, V-2 Rating
Operating Temperature: -40°C to 120°C



SINGLE-POLE INCANDESCENT DIMMING SWITCH
Cat. No. 6383-WI

SINGLE POLE, 3-WAY SWITCH
Cat. Nos. 6291-WI, 6293-WI

Rocker and Frame Kits for 6383 Switch					
Cat. No. Mahogany	Cat. No. Ivory	Cat. No. White	Cat. No. Gray	Cat. No. Almond	Cat. No. Black
6081-M	6081-I	6081-W	6081-GY	6081-A	—
Rocker and Frame Kits for 6291 and 6293 Switch					
6091-M	6091-I	6091-W	6091-GY	6091-A	—