



Decora Combination Devices

Decora® Combination Switches

Individual Switches: 15 AMP 120V/Device Total: 20 AMP-120V†

| DESCRIPTION | CAT. NO. | COLOR* |
|--|----------|---------|
| Dual Rocker Switches | 1754 | I, W, A |
| Dual Rocker Switches with Grounding Lead | 1754-2 | W |
| Illuminated Dual Rocker Switches light is ON when top rocker is off | 1754-IL | I, W, A |
| Three Rocker Switches | 1755 | I, W, A |
| Three Rocker Switches with Grounding Lead | 1755-2 | I, W |
| Three Rocker Switches (Double Pole ON-OFF-ON Top Switch; Two Single-Pole Switches) | 1759 | I, W |

†WARNING: Although each individual rocker switch is rated up to 15A 120V, the total combined load for both duplex or all three triplex switches MUST NOT EXCEED 20 AMPS.

Decora® Combination Switch/SmartLock™ GFCI Outlet

Receptacle: 15 AMP 125V/Feed-through: 20 AMP 125V
Switch Rating: 8.3 AMP, 1000 WATTS @ 120V AC

| DESCRIPTION | CAT. NO. | COLOR* |
|--|----------|---|
| Single-Pole Switch and SmartLock GFCI-Protected Outlet | 8299 | I, W, A <small>Basic Cat. No. Denotes Mahogany</small> |



SPECIFICATIONS & FEATURES

- Multi-switch combination devices save space and add convenience
- Common shunted internally to all switches
- Elegant Decora styling permits ganging with other Decora devices
- Switch/SmartLock GFCI Receptacle replaces standard switch/outlet combination devices in commercial or residential installations
- Space-saving SmartLock GFCI protection in new or retrofit construction
- Switch/SmartLock GFCI Receptacle permits multiple wiring options that allow six different applications

SmartLock GFCI

- Meets or exceeds UL 2003 Code Requirements for increased surge immunity, corrosion resistance, resistance to false tripping and diagnostic indication for line-load wiring reversal
- Exclusive, patented lockout-action: RESET button is blocked if GFCI protection has been compromised, eliminating the risk of end-users incorrectly assuming that a reset GFCI is providing ground fault protection when it actually is not

TESTING & CODE COMPLIANCE

Decora Switches

- UL Listed (File #7458)
- CSA (File #LR-3413)
- NOM Certified (#057)
- Backed by a Limited Two-Year Warranty

Switch/SmartLock GFCI Receptacle

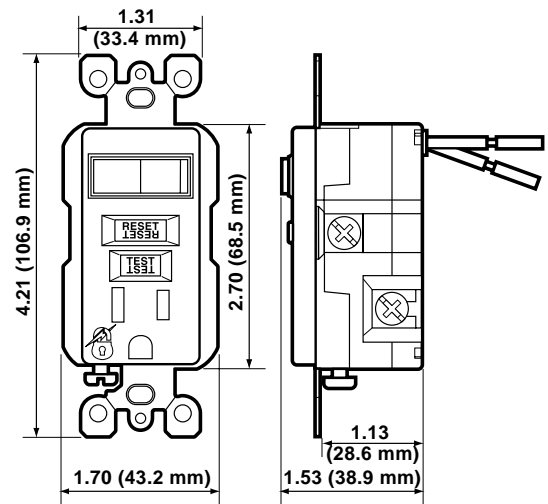
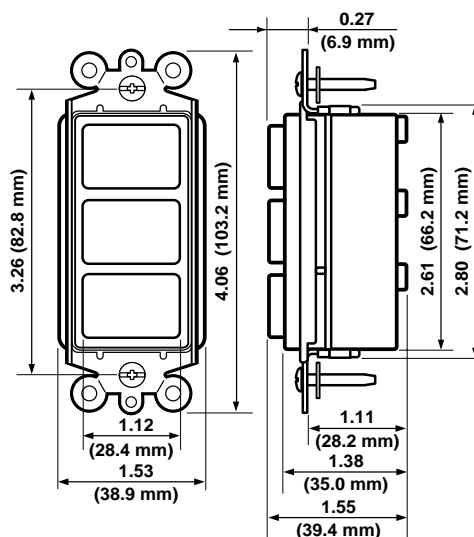
- UL Listed (File #48380)
- Listed UL Standard 943, Class A
- CSA Certified (File #LR-57811)
- NOM Certified (#057)
- Backed by a Limited Two-Year Warranty

*COLOR

Colors available as listed. For other color selections, add suffix to catalog numbers as follows: Ivory (-I), White (-W), Almond (-A).

MATERIAL CHARACTERISTICS

Environmental: Flammability UL-94, V2 Rating
Operating Temperature: -40°C to 120°C



For more information regarding matching wallplates, colors, materials, single and multi-gang, refer to Wallplates, section G.