

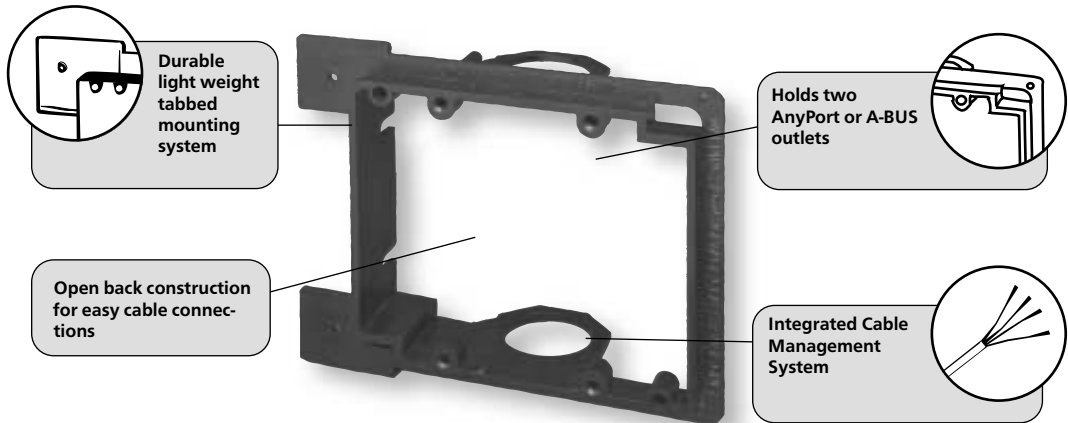
# OnQ INSTALLATION BRACKETS

Sold by:

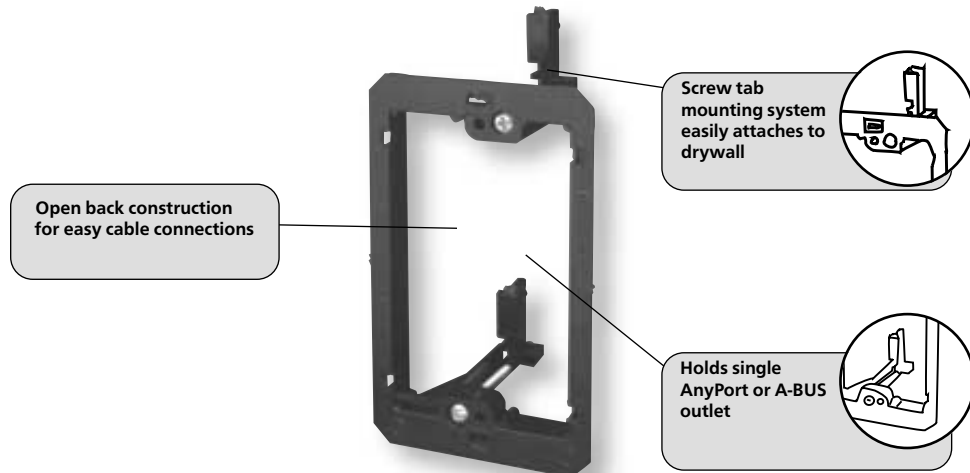


## PRODUCT FACTS

- ▲ Designed for use with AnyPort wall plates, A-BUS volume controls, and OnQ Impedance Matching volume controls.
- ▲ Single and dual sizes for new and retrofit applications
- ▲ Integrated cable management system
- ▲ Flexible plastic retains shape for ease of alignment during installation.



Dual New Construction Bracket



Single Retrofit Bracket



### Mud Ring, New Construction, Single

NEW

Part Number

Designed for use with one AnyPort wall plate outlet, A-BUS volume controls, or OnQ Impedance-Matching volume controls. Open back for easy cable connections.

364524-01

### Mud Ring, New Construction, Dual

NEW

Designed for use with two outlets allowing for multiple combinations of AnyPort wall plate outlets and A-BUS or Impedance-Matching volume controls. Open back and integrated cable management system for easy cable connections.

364524-02

### Mud Ring, Retrofit, Single

NEW

Designed for use with one AnyPort wall plate outlet, A-BUS or OnQ Impedance-Matching volume controls. Open back for easy cable connections. Screw hold down tabs allow outlet placement virtually anywhere on wall.

364525-01

### Mud Ring, Retrofit, Dual

NEW

Designed for use with two outlets allowing for multiple combinations of AnyPort wall plate outlets and A-BUS or Impedance-Matching volume controls. Open back for easy cable connections. Screw hold down tabs allow outlet placement virtually anywhere on wall.

364525-02