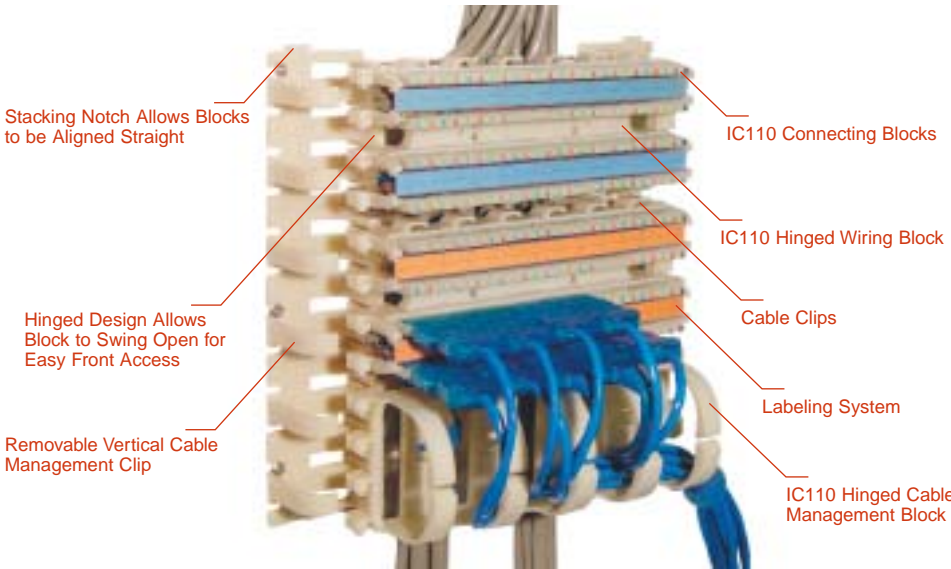




# IC110 Wiring Kits



## Installation Benefits

- Kit Contains of All Items for a Complete 110 Installation
- Engineered and Tested for High Speed Applications and Maximum Performance
- Unique Swing-Out Design Allows Front Access to Cables Routed Behind the Block



IC110H1004

### IC110 Hinged Wiring Kit, 100-Pair

Hinged 110 kit provides all necessary components for 110 installations. The hinged design allows for easier installations and cable routing.

PART NUMBER DESCRIPTION

**IC110H1004 100-Pair Hinged Wiring Block, Connecting Blocks, 4-Pair (20 ea.) and 5-Pair (4 ea.), Label Holder (2 ea.) and Label (2 ea.)**



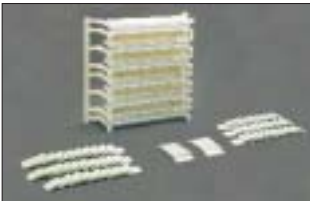
IC110W1004

### IC110 Wiring Kit, 100-Pair

Wiring kit is designed to support 110-type voice and high-speed data applications and provides the connecting blocks needed to terminate all the pairs on the wiring block.

PART NUMBER DESCRIPTION

**IC110W1004 100-Pair Wiring Block, Connecting Blocks, 4-Pair (20 ea.) and 5-Pair (4 ea.), Label Holder (2 ea.) and Label (2 ea.)**



IC110W3004

### IC110 Wiring Kit, 300-Pair

Wiring kit is designed to support 110-type voice and high-speed data applications and provides the connecting blocks needed to terminate all the pairs on the wiring block.

PART NUMBER DESCRIPTION

**IC110W3004 300-Pair Wiring Block, Connecting Blocks, 4-Pair (60 ea.) and 5-Pair (12 ea.), Label Holder (6 ea.) and Label (6 ea.)**



IC110LBLxx\*

### IC110 Wiring Color Label and Holder

Color label is designed to insert into the label holder and apply to wiring blocks for easy system administration. Labels come with six (2, 3, 4 and 5-pair) label types with perforation on each sheet for use with printers.

PART NUMBER DESCRIPTION

**IC110LBLxx\* Wiring Label Sheet, 2-Pair (6 ea.), 3-Pair (6 ea.), 4-Pair (6 ea.) and 5-Pair (6 ea.)**  
**IC110HLDR Label Holder, 6 pcs./bag**

\*xx= WH, GY, BL, GN, OR, PR, RD, YL, BR

