



Decora Lighting Controls

True Touch™ Decora Digital Touch Dimmer 120V AC 60Hz Only
 All True Touch™ dimmers provide single-pole (one location) and 3-way (multi-location) control when used with True Touch Remote, except Cat. No. 6606.

DESCRIPTION	CAT. NO.	RATING	COLOR CHANGE KIT*
Incandescent Touch Dimmer, Single-Pole Only	6606-W	600W	I, W, AA, AI, AW, AGY, AE
True Touch Incandescent	TTI06-10W	600W	I, W, A, WS, GI, GY, E, BG
True Touch Incandescent	TTI10-10W	1000W	I, W, A, WS, GI, GY, E, BG
True Touch Magnetic Low-Voltage	TTM10-10W	1000VA (750W)	I, W, A, WS, GI, GY, E, BG
True Touch Remote Unit (no LED)	TT00R-10W	No load rating	I, W, A, WS, GI, GY, E, BG
True Touch Dimmer Color Change Kit	TTKIT	—	I, W, A, WS, GI, GY, E, BG
True Touch Remote Unit Color Change Kit	TTKTR	—	I, W, A, WS, GI, GY, E, BG

All devices are UL Listed and CSA Certified.



TTI10-10W in 80301-W

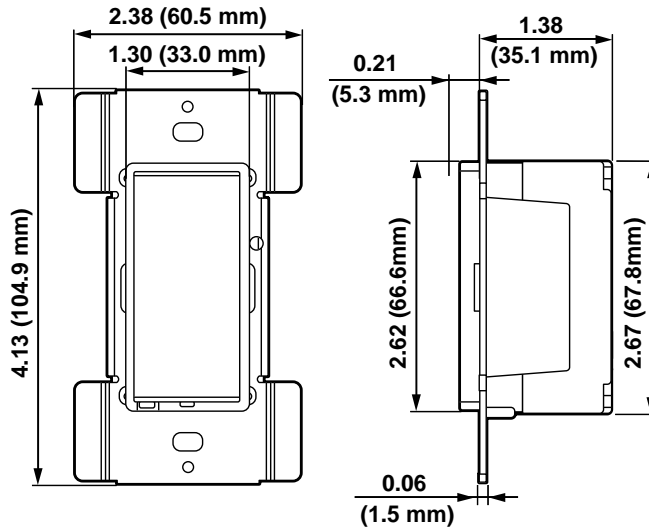
Use Leviton Power Extenders to extend the load capacity of box-mounted dimmers. Leviton Power Extenders are available for incandescent, magnetic low-voltage, electronic low-voltage, Advance Mark X™ fluorescent dimming ballasts or equivalents, and 0–10 VDC dimmable fluorescent ballasts such as Advance Mark VII™, OSRAM Sylvania Quicktronic Helios or equivalent ballasts.

Digital Lighting and Fan Speed Controls are polarity sensitive devices. Always follow the wiring instructions included with each device. They can be used in conventional 3-way and 4-way wiring circuits only when the Control is properly connected to the load as indicated by the device's wiring instructions.

See Page O6 for more information on Leviton Power Extenders

SPECIFICATIONS & FEATURES

- Provides fingertip ease of use and precise adjustment of lighting levels. Simple one-touch for ON at Preset level, or again for OFF. Touch and hold for BRIGHT/DIM lighting control
- Provides single-pole (one-location) and multi-location full range dimming when used with TT00R remote unit
- Cat. No. 6606 Decora Touch Dimmer is available for single-pole applications only (no soft-ON/Fade-OFF or multi-location features)
- Attractive Decora styling blends with any interior
- Digital circuitry provides Soft-ON/Fade-OFF switching for and eye-pleasing effect and extended lamp life
- Compatible with Decora screwless and Decora standard designer wallplates
- Locator LED is illuminated when lights are OFF (no LED on Remote Unit)
- Color change kits offered in a wide range of colors, making it easy and economical to change decorating schemes
- Minimum Brightness Adjustment sets comfortable minimum light level
- Protected memory maintains light levels after short-term power outages and during minor power fluctuations
- Built-in radio/TV interference filter
- ON/OFF AC air gap switch completely disconnects power to unit for bulb changing or removal from service



TRUE TOUCH DECORA DIGITAL TOUCH DIMMER
 Cat. No. TTI10-10W

TESTING & CODE COMPLIANCE

- UL Listed (File #E-31373)
- CSA Certified (File #LR-3413)
- Backed by a Limited Two-Year Warranty

*COLOR

Cat. No. 6606 available in Brown/Gold (no dash), Ivory/Gold (-I), White/Silver (-W), Almond (-AA), Ivory (-AI), White (-AW), Gray (-AGY) and Black (-AE). For all other True Touch dimmers, basic Cat. No. denotes White device. For other colors, order Color Change Kits and add suffix as follows: Ivory (-I), White (-W), Almond (-A), Gray (-GY), Black (-E), White frame/Silver touch plate (-WS), Ivory frame/Gold touch plate (-GI), and Brown frame/Gold touch plate (-BG).

MATERIAL CHARACTERISTICS

Environmental: Flammability UL-94, V2 Rating
 Operating Temperature: 32°F to 130°F

