



Decora Lighting Controls



MDI10-1LW in 80301-W

Use Leviton Power Extenders to extend the load capacity of box-mounted dimmers. Leviton Power Extenders are available for incandescent, magnetic low-voltage, electronic low-voltage, Advance Mark X™ fluorescent dimming ballasts or equivalents, and 0–10 VDC dimmable fluorescent ballasts such as Advance Mark VII™, OSRAM Sylvania Quicktronic Helios or equivalent ballasts.

See Page O6 for more information on Leviton Power Extenders

SPECIFICATIONS & FEATURES

- Provides single-pole (one-location) and multi-location full range dimming when used with MS00R remote unit
- Streamlined popular Decora styling enhances any interior and adds a family look when ganged with other Decora devices
- Smooth ON/OFF and DIM/BRIGHT Decora rocker action provides ease of operation for people of all ages and abilities
- Digital circuitry provides Soft-ON/Fade-OFF switching for and eye-pleasing effect and extended lamp life
- Compatible with Decora screwless and Decora standard designer wallplates
- Locator LED illuminated when lights are OFF
- Color change kits available in a wide range of choices, making it easy and economical to change decorating schemes
- Color change kits simplify inventory for distributors and contractors who can offer a complete range of colors without stocking a different device for each one
- Protected memory and voltage compensation maintain light levels after short-term power outages and during minor power fluctuations
- Square green LED display alongside rocker indicates selected brightness level on MD models
- Built-in radio/TV interference filter
- ON/OFF AC air gap switch completely disconnects power to unit for bulb changing or removal from service

TESTING & CODE COMPLIANCE

- UL Listed (File #E-31373)
- CSA Certified (File #LR-3413)
- Backed by a Limited Two-Year Warranty

*COLOR

Basic Cat. No. denotes White device. For other colors, order Color Change Kits and add suffix as follows: Ivory (-I), White (-W), Gray (-G), Black (-E), and Almond (-A).

MATERIAL CHARACTERISTICS

Environmental: Flammability UL-94, V2 Rating
Operating Temperature: 32°F to 130°F

Mural™ Decora-Style Digital Dimmer 120V AC 60Hz Only All Mural™ dimmers provide single-pole (1 location) and 3-way (multi-location) control when used with Multi-Remote unit.

DESCRIPTION	CAT. NO.	RATING	COLOR CHANGE KIT*
Mural Incandescent LED Locator and Brightness Display	MDI06-1LW	600W	I, W, A, G, E
Mural Incandescent LED Locator and Brightness Display	MDI10-1LW	1000W	I, W, A, G, E
Mural Magnetic Low-Voltage LED Locator and Brightness Display	MDM06-1LW	600VA (450W)	I, W, A, G, E
Mural Magnetic Low-Voltage LED Locator and Brightness Display	MDM10-1LW	1000VA (750W)	I, W, A, G, E
Mural Electronic Low-Voltage LED Locator and Brightness Display	MDE03-1LW	350VA (260W)	I, W, A, G, E
Mural Quiet Fan Speed Control LED Locator and Brightness Display	MDF01-1LW	1.5A	I, W, A, G, E
Mural Incandescent LED Locator (no Brightness Display)	MSI06-1LW	600W	I, W, A, G, E
Mural Incandescent LED Locator (no Brightness Display)	MSI10-1LW	1000W	I, W, A, G, E
Mural Magnetic Low-Voltage LED Locator (no Brightness Display)	MSM10-1LW	1000VA (750W)	I, W, A, G, E
Multi-Remote Unit for Multi-Location Dimming (no LED locator or display)	MS00R-10W	No load rating	I, W, A, G, E
Multi-Remote Unit for Electronic Low-Voltage Multi-Location Dimming (no LED locator or display)	MSE0R-10W	No load rating	I, W, A, G, E

All devices are UL Listed and CSA Certified.

Mural™ Decora-Style Digital Dimmer 220V AC 50Hz AC Only

DESCRIPTION	CAT. NO.	RATING	COLOR*
Mural Incandescent Dimmer	MDI10-2LW	1000W	I, W, A, G, E
Mural Magnetic Low-Voltage Dimmer	MDM10-2LW	1000VA (750W)	I, W, A, G, E
Multi-Remote unit for Multi-Location Dimming (no LED locator or display)	MS00R-20W	No load rating —for use with Mural 220V dimmers	I, W, A, G, E

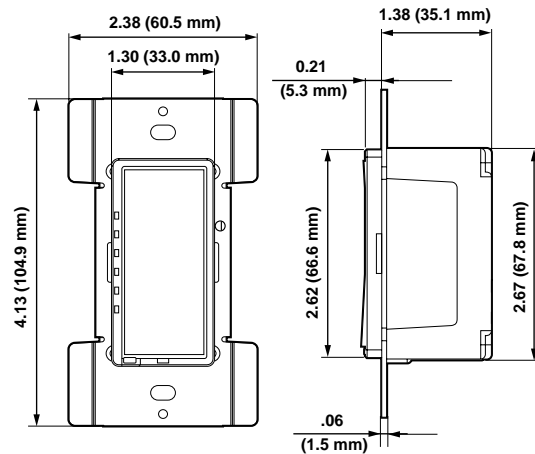
Note: 220V devices are not UL Listed or CSA Certified.

Color Change Kits for Mural™ Dimmers (120V and 220V)

DESCRIPTION	CAT. NO.	COLOR CHANGE KIT*
Mural MD with LED Locator and Brightness Display	DRKDD-1L	I, W, A, G, E
Mural MS with LED Locator (no Brightness Display)	DRK0D-1L	I, W, A, G, E
Multi-Remote Units (no LED Locator or Display)	DRK0R-00	I, W, A, G, E

All devices are UL Listed and CSA Certified.

Digital Lighting and Fan Speed Controls are polarity sensitive devices. Always follow the wiring instructions included with each device. They can be used in conventional 3-way and 4-way wiring circuits only when the Control is properly connected to the load as indicated by the device's wiring instructions.



MURAL DECORA-STYLE DIMMER
Cat. No. MDI10-1LW

