

Commercial Grade



Back and Side Wired, Self-Grounding*
 NEMA 5-15R, 6-15R, 5-20R & 6-20R (Basic Cat. No. Denotes Mahogany Device*)

| DESCRIPTION | CAT. NO./COLOR 15A/125V | CAT. NO./COLOR 15A/250V | CAT. NO./COLOR 20A/125V | CAT. NO./COLOR 20A/250V |
|----------------|----------------------------|--------------------------------|----------------------------|--------------------------------|
| | 5-15R | 6-15R | 5-20R | 6-20R |
| Duplex | 16252 I, W, GY, E, A | 16662 I, W | 16352 I, W, GY, E, A | 16462 I, W, E |
| Single★ | 16251 I, W | 16651 I, W (No Mahogany) | 16351 I, W | 16451 I, W (No Mahogany) |

*Self-grounding when installed in a properly grounded metal wallbox

Side Wired, Self-Grounding* NEMA 5-15R, 6-15R, 5-20R & 6-20R
 (Basic Cat. No. Denotes Mahogany Device*)

| DESCRIPTION | CAT. NO./COLOR 15A/125V | CAT. NO./COLOR 15A/250V | CAT. NO./COLOR 20A/125V | CAT. NO./COLOR 20A/250V |
|----------------|-----------------------------------|--------------------------------|----------------------------|-----------------------------------|
| | 5-15R | 6-15R | 5-20R | 6-20R |
| Duplex | 16242 I, W, E (No Mahogany) | — | 16342 I, W, GY, E | — |
| Single★ | 16241 I, W (No Mahogany) | 16641 I, W (No Mahogany) | 16341 I, W, GY, A | 16441 I, W, A (No Mahogany) |

*Self-grounding when installed in a properly grounded metal wallbox

Back and Side Wired, Self-Grounding*
 125V/250V Dual Voltage NEMA 5-15R & 6-15R

| DESCRIPTION | 15AMP | COLOR* |
|-----------------------------|-------|--------|
| Duplex, Dual Voltage | 16292 | I, W |

*Self-grounding when installed in a properly grounded metal wallbox
 All devices are UL Listed. Also CSA Certified except where indicated by★



SPECIFICATIONS & FEATURES

- Back Wire and Side Wire terminal options
- Heavy-gauge zinc-plated steel locked-in wrap-around strap
- Terminal screws accept up to No. 10 copper or copper-clad wire, solid or stranded
- Back wire terminals accept up to No. 10 copper or copper-clad wire, solid or stranded
- Labor-saving self-grounding clip
- Heavy-duty triple-wipe brass contacts for long service life
- Impact-resistant thermoplastic construction

TESTING & CODE COMPLIANCE

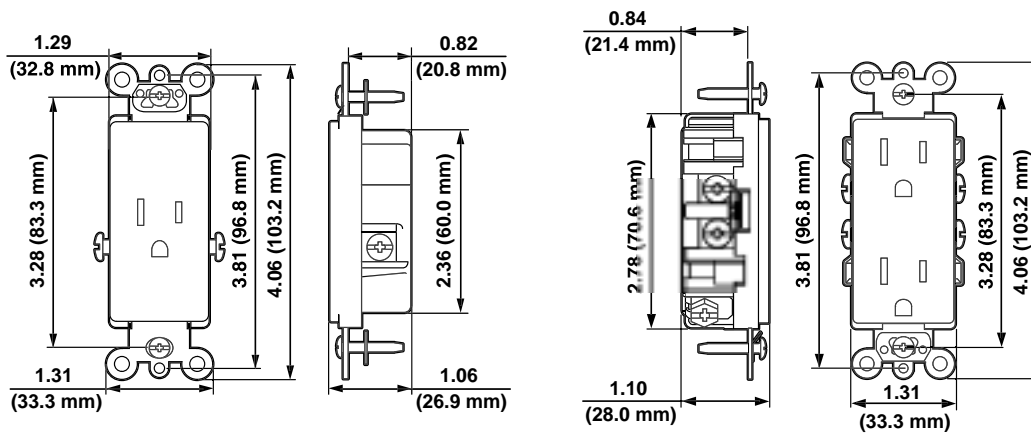
- UL Listed (File #E-13399)
- CSA Certified (File #LR-406)
- NOM Certified (#057)
- Backed by a Limited 10-Year Warranty

*COLOR

Basic Cat. No. denotes Mahogany device (unless indicated). For other color selections, add suffix to the catalog number as follows: Ivory (-I), White (-W), Almond (-A), Gray (-GY) and Black (-E).

MATERIAL CHARACTERISTICS

Environmental: Flammability UL-94, V2 Rating
 Operating Temperature: -40°C to 60°C
 Maximum Continuous



**SINGLE BACK AND SIDE WIRED,
 SELF-GROUNDING**
 Cat. No. 16251

**DUPLEX BACK AND SIDE WIRED,
 SELF-GROUNDING**
 Cat. No. 16252



For more information regarding matching wallplates, colors, materials, single and multi-gang, refer to Wallplates, section G.