



# Vertical Network Cable Manager - Replacement Door

Part Numbers: NCMV12RD, NCMV8RD

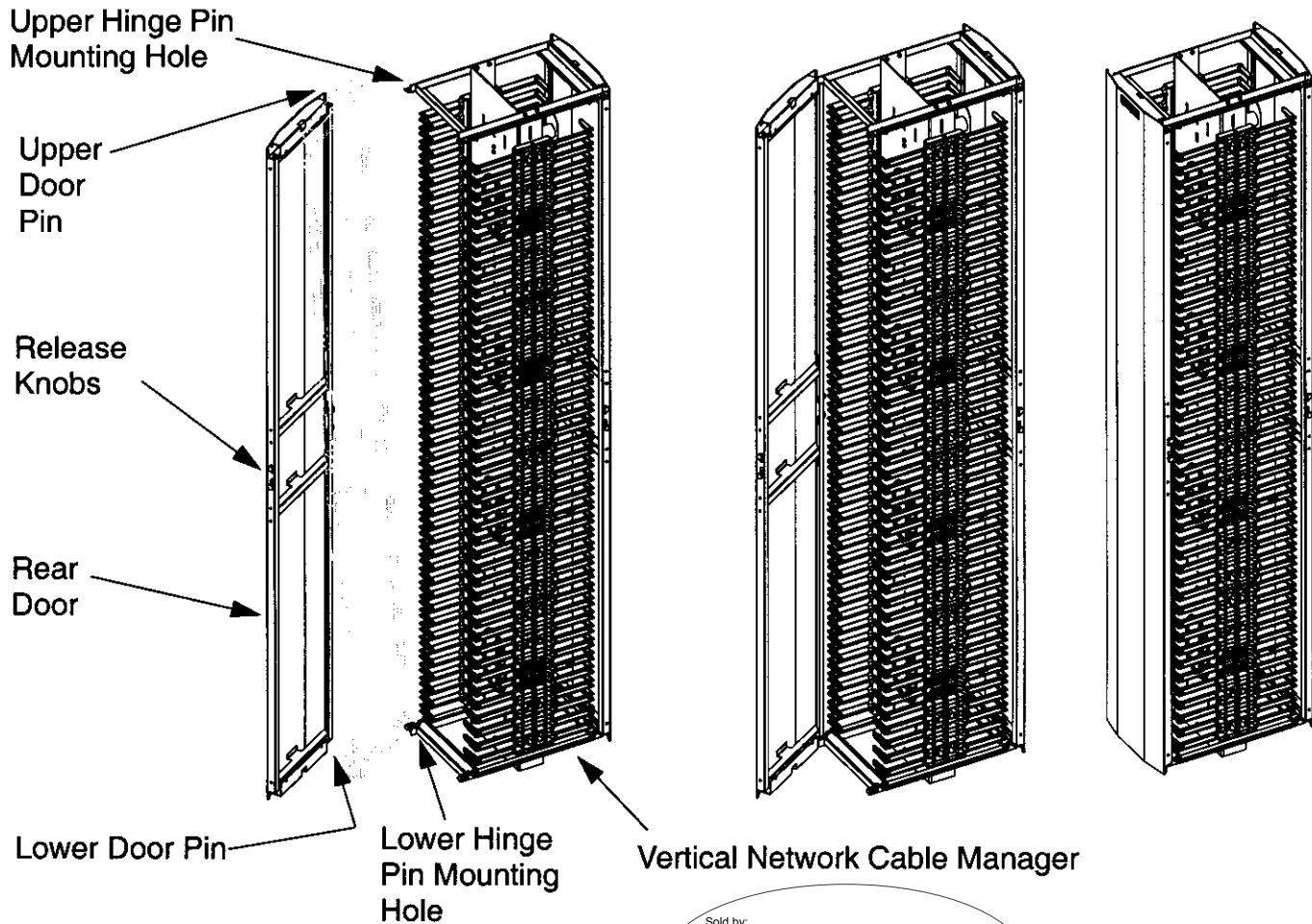
## CM261 INSTALLATION INSTRUCTIONS

© Panduit Corp. 2001

Printed in U.S.A.

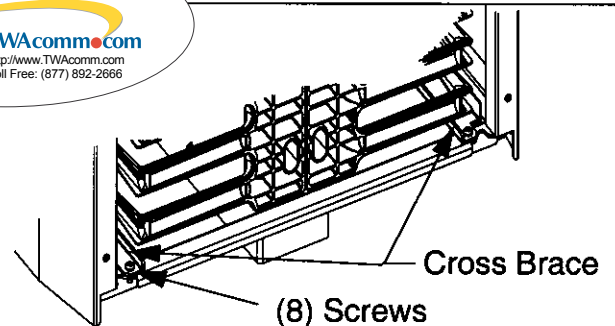
### REAR DOOR INSTALLATION

1. Align lower pin with lower hinge pin mounting hole. Squeeze release knobs together, then align upper door pin with upper hinge pin mounting hole. Release pressure on the release knobs to set door in place. Adjustment may be required if the door pins do not fully seat. See steps below.



### DOOR ADJUSTMENT

1. Remove both doors.
2. Loosen the (8) Cross Brace screws (front and back, top and bottom) on the Vertical Network Cable Manager.
3. Install both doors with the pins fully seated.
4. Tighten Cross Brace screws with both doors in place.



WORLDWIDE SUBSIDIARIES AND SALES OFFICES



NETWORK CONNECTIVITY GROUP

412 Rockwell Court  
Burr Ridge, Illinois 60521

Technical Support: 866-405-6654  
Fax: 708-444-6993

E-mail: [netconnsupport@panduit.com](mailto:netconnsupport@panduit.com)  
Web site: [www.panduit.com/ngc](http://www.panduit.com/ngc)