

specifications

Fiber optic enclosures shall be designed to manage and organize fiber optic cable to and from equipment or cross-connects that support data, voice, video and audio. Enclosures shall accommodate up to 36 fibers per rack space. Enclosures shall have bend radius control for transition to front vertical cabling. Fiber optic enclosures shall be constructed of steel material. Front and back covers shall be removable for wiring installation. Enclosures shall have pass through holes in the top and bottom for use with splice enclosures.



PANDUIT
NETWORK CONNECTIVITY GROUP
SPEC SHEET

NEW!

OPTICOM™ Rack Mount Enclosures

technical information

Dimensions: FRME1:	HxDxL=1.74x11.50x17.06in. (44.20x292.08x433.32mm), 1RU
FRME2:	HxDxL=3.45x11.66x17.06in. (87.63x296.05x433.32mm), 2RU
FRME3:	HxDxL=5.00x11.65 x17.06in. (127.06x295.80x433.32mm), 3RU
FRME4:	HxDxL=6.62x11.65x17.06in. (168.21x295.80x433.32mm), 4RU

Mounting option: Universal brackets (included) allow enclosure to fit in 19" or 23" rack

Packaging: Mounting hardware and accessory kit with labels included

key features and ... benefits

Increased density	Uses same or less rack space than most enclosures
Bend radius control	Improves cable maintenance/protection and standards compliance
Label attached directly to cover	Provides easy cable identification and administration
Pull-out drawers on FRME1 and FRME2	Provides easy front access
Works with all MINI-COM®, OPTI-JACK®, ST, SC, Coax and Fiber Cassette modules	Offers flexibility for a variety of applications
Available with optional lock	Provides added security
Optional splicing tray and holder for FRME4	Accepts a snap-on splice tray holder (FST24H3) that can accommodate up to 3 splice trays (FST24)

applications

OPTICOM fiber distribution rack mount enclosures provide a system for managing high density fiber connections between backbone and horizontal cabling. Enclosures shall protect fiber optic connections for patching or splicing requirements within the premise cabling environment. The enclosure can serve as an interconnect or a cross-connect when interfacing with equipment or

can be specified for use in a main cross-connect, intermediate cross-connect or telecommunications room. These high density enclosures can manage from 36 fibers (in 1 RU) up to 144 fibers (in 4 RU) when used with standard FAP and FMP series adapter panels. This high capacity and high density allows for lower total system cost.

Visit our website at: www.panduit.com/ncg

OPTICOM Rack Mount Enclosures

Up to 36 fibers (3 FAPs):	FRME1
Up to 72 fibers (6 FAPs):	FRME2
Up to 108 fibers (9 FAPs):	FRME3
Up to 144 fibers (12 FAPs):	FRME4

OPTICOM Splice Enclosures

72 fiber:	FRME72SBL
144 fiber:	FRME144SBL

Adapter Panels

6 FJ:	FMP6*
6 ST:	FAP6WST
6 angled ST:	FAP6WSTA
8 ST:	FAP8WST
2 duplex SC:	FAP2WBUDSC
3 duplex SC:	FAP3WBUDSC
3 angled duplex SC:	FAP3WBUDSCA
6 duplex SC:	FAP6WBUDSC
6 simplex SC:	FAP6WBUSC
6 simplex FC:	FAP6WFC
Blank:	FAPB

*FJ adapters sold separately

Splice Tray

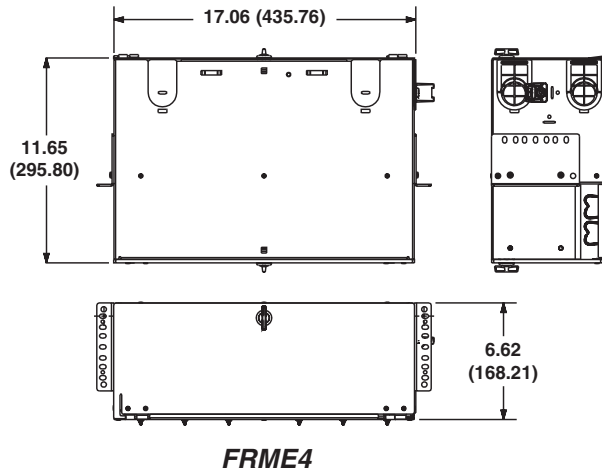
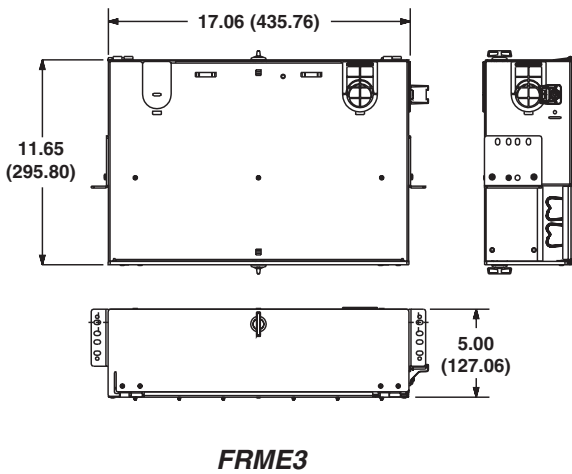
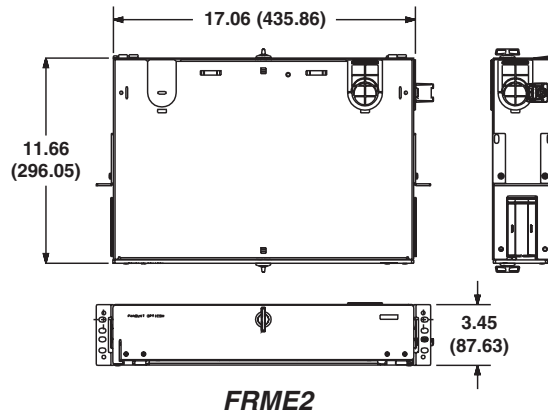
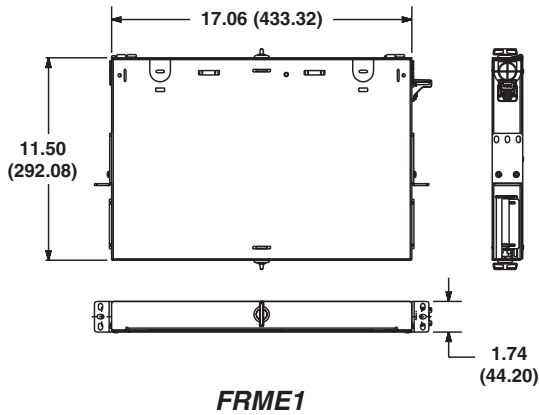
Splice tray:	FST24
Splice tray holder:	FST24H3

installer tip

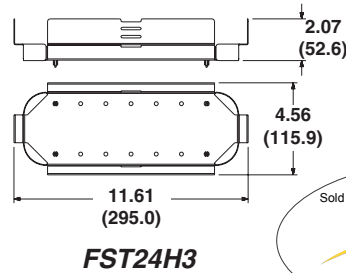
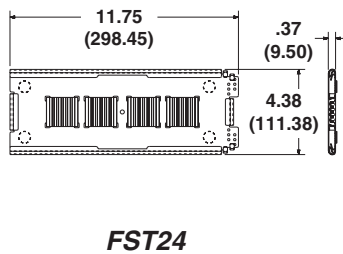
For high density patching and splicing use FRME4 with FST24 and FST24H3.

OPTICOM™ Rack Mount Enclosures

Rack Mount Enclosures



Splicing Trays



Dimensions are in inches (Dimensions in parentheses are metric)

Our products are warranted to be free from defects in material and workmanship at the time of sale but our obligation under this warranty is limited to the replacement of any product proved to be defective within 6 months (for product) or 90 days (for tools) from the date of delivery. Tool warranty is void if Panduit tools are modified, altered or misused in any way. Use of Panduit tooling with any product other than the specified Panduit products for which the tool was designed, constitutes misuse. Before using, user shall determine the suitability of the product for his intended use and user assumes all risk and liability whatsoever in connection therewith.

This warranty is made in lieu of and excludes all other warranties, expressed or implied. THE IMPLIED WARRANTIES OF MERCHANTABILITY AND FITNESS FOR A PARTICULAR USE ARE SPECIFICALLY EXCLUDED. Neither seller nor manufacturer shall be liable for any other injury, loss or damage whether direct or consequential, arising out of the use of, or the inability to use, the product. The information contained in this literature is based on our experience to date and is believed to be reliable. It is intended as a guide for use by persons having technical skill at their own discretion and risk. We do not guarantee favorable results or assume any liability in connection with its use. Dimensions contained herein are for reference purposes only. For specific dimensional requirements consult the factory. This publication is not to be taken as a license to operate under, or a recommendation to infringe any existing patents. This supersedes and voids all previous literature, etc.



WORLD HEADQUARTERS
PANDUIT CORP.
 Tinley Park, Illinois, USA
 Customer Service: 800-777-3300
 Technical Support: 866-405-6654
 Fax: 708-444-6993
 Email: ncginfo@panduit.com
 Internet: www.panduit.com/ncg

**For Pricing and Further Information —
 Contact your local authorized
 PANDUIT PAN-NET® Distributor or Sales Office**

PANDUIT CANADA
 Markham, Ontario
 Phone: 800-777-3300

PANDUIT EUROPE LTD.
 London, UK
 Phone: 44 208-601-7200

PANDUIT SINGAPORE PTE. LTD.
 Republic of Singapore
 Phone: (65) 6379 6700

PANDUIT JAPAN
 Tokyo, Japan
 Phone (81) (3) 3767-7011

PANDUIT LATIN AMERICA
 Jalisco, Mexico
 Phone: (52) 3 666-2501

PANDUIT AUSTRALIA PTY. LTD.
 Victoria, Australia
 Phone: (61) 3-9794 9020