

Conduit/Cable

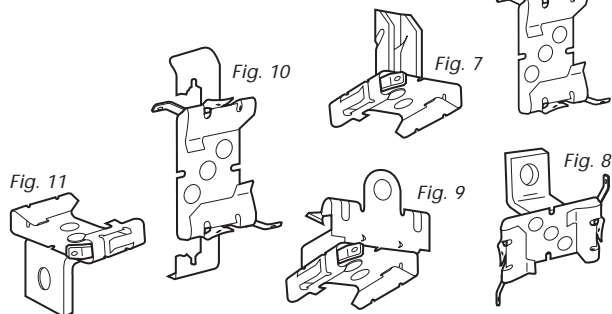
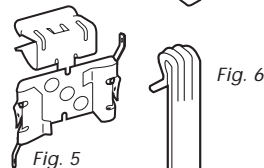
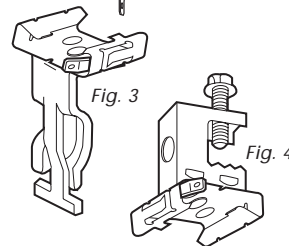
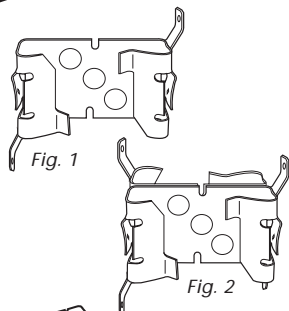


Snap-In Support MC/AC Cable Flexible Conduit



Features

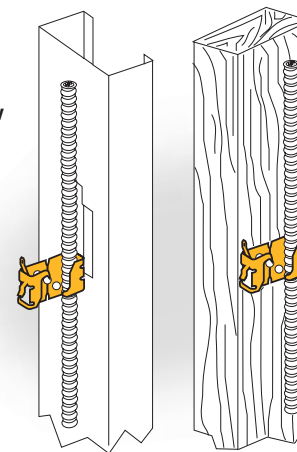
- Manufactured with stabilizer legs for "wobble-free" support.
- One fastener for cable size 14-4, 12-4, 12-3, 12-2, 10-3, 10-2.
- Snaps into place on metal stud and beam flange up to 1/8" thick. No tools required for installation.
- MAC2 snaps in half to accommodate a single run of cable effectively making two clips from one.
- Prepunched holes in clip allow it to be screwed to wood stud, concrete or block.
- Factory riveted assemblies are available for installation on flange, purlin, acoustical tee, drop wire, concrete, block or wood and metal stud.
- Delivers compliance for:
NEC Article 300-4(d) allowing cable to be positioned a minimum of 1/4" from face of stud.
CEC Rule 12-618 for support of MC/AC cable.



Conduit/Cable

Applications

Assemblies allow for support from most main and substructures.



UL & cUL Listed
Cable Support

Sizing Chart

CATALOG NUMBER	FIG. NO.	DESCRIPTION	QTY. PER BOX
1 to 4 RUNS OF MC/AC			
MAC2T	2	Support 1 to 4 runs of MC/AC cable for metal stud	100
DOUBLE RUN OF MC/AC			
MAC2	1	Metal or wood stud and 1/8" flange	100
MAC2ATA	3	Acoustical Tee	100
MAC2BC	4	1/8" thru 1/2" flange	100
MAC224SM	5	1/8" thru 1/4" flange	100
MAC258SM	5	5/2" thru 1/2" flange	100
MAC2912SM	5	1/16" thru 3/4" flange	100
MAC2VF14	6	1/16" thru 1/4" C purlin or vertical flange	100
MAC2123	7	Z purlin	100
MAC2AO	8	Offset bracket	100
MAC224	9	1/8" thru 1/4" flange – bottom mount rotates 360°	100
MAC258	9	5/16" thru 1/2" flange – bottom mount rotates 360°	100
MAC2912	9	1/2" thru 3/4" flange – bottom mount rotates 360°	100
MAC24Z34	10	#12 thru 1/4" wire, plain or threaded rod & 1/8" thru 3/8" flange	100
MAC26Z34	10	3/8" plain or threaded rod and 3/8" thru 9/16" flange	100
MAC2FB	11	Through metal stud	100



Read safety instructions and instruction sheets contained in packages before using or applying fastener.

Read safety instructions and instruction sheets contained in packages before using or applying fastener.