

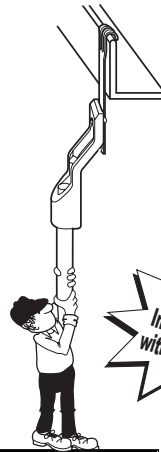


Hammer-On C & Z Purlin Rod Clip

for 1/4" and 3/8" rod

Features

- Used to support 1/4" and 3/8" threaded rod from purlin beam flanges 1/16" to 1/4" thick
- Requires only a hammer to install
- Thread impression eliminates the use of nuts
- Open style back offers unlimited rod adjustment



Hammer-on or Install from the Floor with the New Vaft Tool

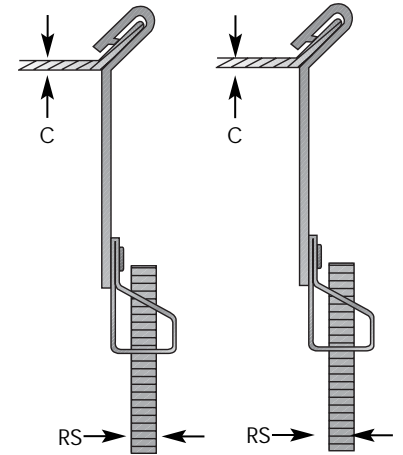
INSTALLATION TOOLS

Use any of the tools below



Vaft Tool

Hammer



Recommended for support of up to 2" stationary pipe only.

Catalog #	C	RS	Finish*	Box/Case Qty.	Load Limit (lbs)
AF144TI	1/16" - 1/4"	1/4" - 20	ZP	100/600	100
AF146TI	1/16" - 1/4"	3/8" - 16	ZP	100/600	100
VF144TI	1/16" - 1/4"	1/4" - 20	ZP	100/1000	160
VF146TI	1/16" - 1/4"	3/8" - 16	ZP	100/600	160
VAFT	N/A	-	-	1	-

Rod Clip with Bracket

for 1/4" and 3/8" rod

Features

- Used to support 1/4" or 3/8" threaded rod from wood or concrete beams, joist, ceilings and walls. Mounting hole for 1/4" bolt.
- Available with either right angle or offset bracket.
- Thread impression eliminates the use of nuts.
- Open style back offers unlimited rod adjustment.

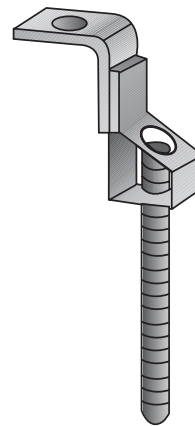


Fig. 1

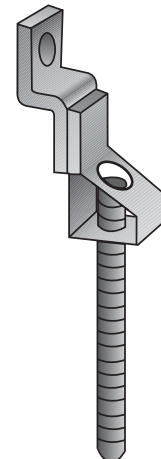


Fig. 2

Recommended for support of up to 2" stationary pipe only.

Catalog #	Fig. #	RS	Finish*	Box/Case Qty.	Load Limit (lbs)
4TIB	1	1/4" - 20	ZP	100/1000	160
4TIO	2	1/4" - 20	ZP	100/1000	160
6TIB	1	3/8" - 16	ZP	100/1000	160
6TIO	2	3/8" - 16	ZP	100/1000	160



* See page 3 for Finish and Material Descriptions.