



Hammer-On Rod Clip

for 1/4" and 3/8" rod

INSTALLATION TOOLS

Use any of the tools below



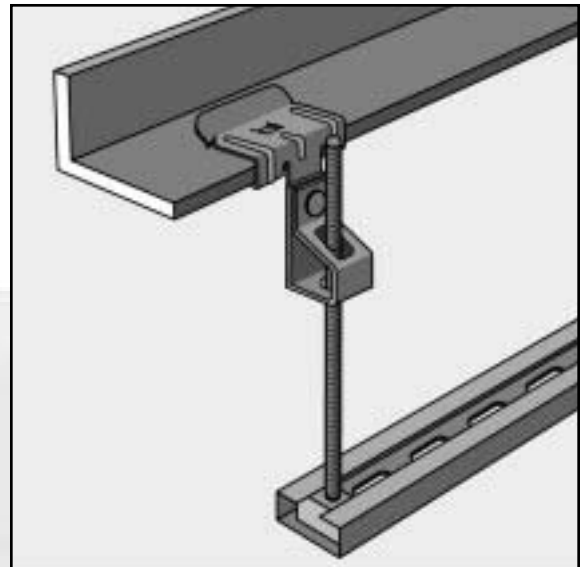
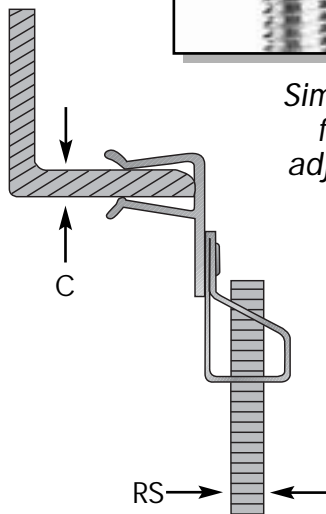
Hammer

Features

- Used to support 1/4" and 3/8" threaded rod from beam flanges 1/8" thru 3/4" thick
- Requires only a hammer to install
- Thread impression eliminates the use of nuts
- Open style back offers unlimited rod adjustment



Simply hammer over the flange, insert rod and adjust to desired length.



Recommended for support of up to 2" stationary pipe only.

Catalog #	C	RS	Finish*	Box/Case Qty.	Load Limit (lbs)
4TI24	1/8" - 1/4"	1/4" - 20	ZP	100/1000	200
4TI58	5/16" - 1/2"	1/4" - 20	ZP	100/1000	200
4TI912	9/16" - 3/4"	1/4" - 20	ZP	100/1000	200
6TI24	1/8" - 1/4"	3/8" - 16	ZP	100/1000	200
6TI58	5/16" - 1/2"	3/8" - 16	ZP	100/1000	200
6TI912	9/16" - 3/4"	3/8" - 16	ZP	100/1000	200



* See page 3 for Finish and Material Descriptions.