

1. Introduction

The OnQ Anyline Telecom Module, P/N 364604-01, allows any incoming line to be selected as the primary line at the outlet. The module supports four (4) incoming lines and up to six (6) outlets. The module is designed for use in any OnQ Service Center Enclosure.

2. Description

The OnQ Anyline Telecom Module has eight (8) RJ45 connectors and six (6) 4-position switches. One (1) RJ45 is for incoming service (up to 4 lines) and one (1) RJ45 is to bridge additional telecom modules. The other six (6) connectors are paired to a switch and connect the house outlet.

The module is a half width module (3.00" H x 6.42" W) which is mounted with the standard OnQ tab and plunger arrangement. The module plate is black powder coated steel (see **Figure 1**).

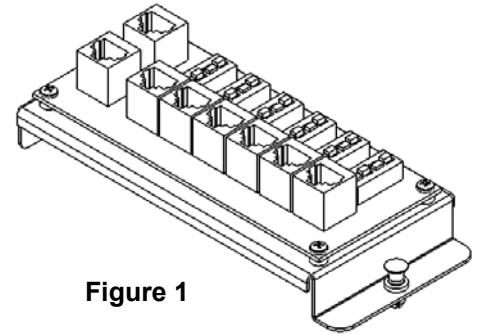


Figure 1

3. Installation

A. Mounting into an OnQ enclosure (see **Figure 2)**

1. Select the location in the enclosure to allow easy access of the input and output cables.
2. Align the tabs on the module with the slots in the enclosure. Insert the tabs by angling the module away from the back of the enclosure.
3. Rotate the module and insert the plunger/grommet on the module into the corresponding hole on the back plane of the enclosure. (Plunger must be in pulled out position for it to engage the hole).
4. Push the plunger in to lock the module in place. Pull on the module to ensure the module is locked properly in place.

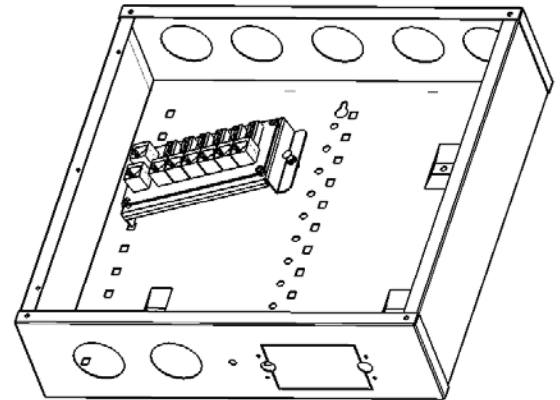


Figure 2

B. Connecting to the house wiring

1. Connect service to the "Line In" connection from the Telecom Service Conditioning Module, P/N 364599-01, or from the NID.
2. Connect Outlets to module plugging drops into any of the six (6) ports.
3. Select primary service (pin 4&5) for each outlet by turning on appropriate switch (1 to 4). Service Line 1 will be on second pair (pins 3&6). Lines 3 and 4 will be standard.

NOTE: Only one (1) switch may be turned on for each outlet. DO NOT TURN ON MORE THAN ONE SWITCH PER OUTLET.

4. If "bridging" is desired, bridge to next module with jumper (not supplied) from the "Bridge" jack using EIA/TIA 568A Telecommunications Wiring Standard.

NOTE: Module has all standard RJ45 Connections. House wiring may be directly connected using EZ-RJ45 Modular plugs, P/N 364554-01, terminated to Cat 5 cable or using CAT 5E jumpers, P/N 363201-xx, to OnQ Network Interfaces such as P/N 363486-01.