

Explosion Proof Ringers & Speakers

FEATURES and BENEFITS

CE20 Line Powered Explosion Proof Ringer

- Sound pressure level at one meter, on axis - up to 86 dB without horn (Up to 97 dB with horn)
- Threaded, weather proof enclosure
- Projection horn
- Copper-free aluminum body and cover
- Sintered bronze flame arrestor

SR40/SR60 Explosion Proof Speaker, Ringer, & Speaker/Ringer

- Mounting allows directional adjustments
- Projection horn included
- Powder coated cast aluminum enclosure
- User selectable output power taps
- Threaded end cap for easy installation

APPLICATIONS

These telephones are designed for use in locations with the highest hazardous area classifications such as:

- Petroleum Refineries
- Power Generation Facilities
- Grain Handling Facilities
- Bulk Fuel Loading Facilities
- Paint or Solvent Manufacturing Plants
- Munitions Storage and Production
- Chemical Plants
- Drilling Rigs
- Gas Plants
- Mines
- Aerospace Sites
- and more . . .

INSTALLATION and CONNECTABILITY

CE20 Line Powered Explosion Proof Ringer

Guardian's CE20 Explosion Proof Ringer utilizes telephone line power, and does not require a separate power source. Maintaining safety standards may require the use of special wiring conduits or other considerations. The CE20 can be ordered separately or as part of an integrated system.

SR40/SR60 Explosion Proof Speaker, Ringer, & Speaker/Ringer

Guardian's SR40 and SR60 Explosion Proof units generate up to 110 dB. The SR40 can be ordered in ringer configurations of 12/24 or 120/230 volts AC and as a combination ringer/speaker. The SR60 is a 60 watt speaker used in high powered applications. Maintaining safety standards may require the use of special wiring conduits or other considerations.



CE20 Ringer

CE20 Ringer with Horn

SR40/SR60

Guardian's CE20 Explosion Proof Ringer is designed for use indoors and outdoors in hazardous areas where flammable gases, vapors or dust may be present.

Guardian's SR40 Explosion Proof unit can be set-up as a loud speaker for paging applications, loud ringer to signal incoming phone calls, or both functions can be combined in one device.

Guardian's SR60 Explosion Proof unit is a high power paging speaker.

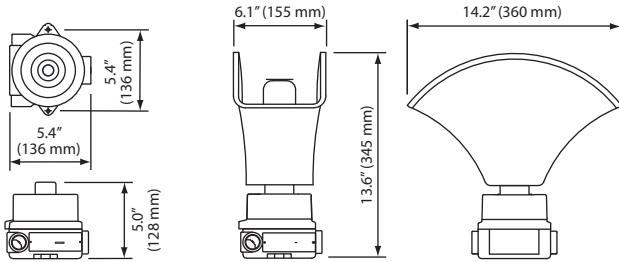
Guardian
Telecom Inc.

ISO 9001 Today's Quality Creates Our Future

Sold by:

TWAcomm.com
http://www.TWAcomm.com
Toll Free: (877) 389-0000

OVERALL DIMENSIONS & ENGINEERING SPECIFICATIONS CE20 Line Powered Explosion Proof Ringer



ELECTRICAL REQUIREMENTS - Line Powered

Ringer Sensitivity 40 -100 V, 16 - 25 Hz
 Ringer Equivalence Number 04.A/0.8B

ELECTRICAL PERFORMANCE

CE20 Line Powered Ringer c/w Projection Horn 97 +/- 3 dB
 CE20 Line Powered Ringer w/o Projection Horn 86 +/- 3 dB

MECHANICAL SPECIFICATIONS

Body Construction Copper Free Cast Aluminum Cover and Base With Epoxy Powder Coat
 Flame Arrestor Sintered Bronze
 W/O Projection Horn
 Net Weight 3.5 lbs (1.6 kg)
 Shipping Weight 4.0 lbs (1.68 kg)
 Shipping Dimensions (L x W x D) 9.0" x 6.0" x 5.5" (229 x 153 x 140 mm)
 C/W Projection Horn
 Net Weight 6.0 lbs (2.7 kg)
 Shipping Weight 7.5 lbs (3.4 kg)
 Shipping Dimensions (L x W x D) 16.0" x 10.5" x 9.5" (407 x 267 x 242 mm)

ENVIRONMENTAL

CE20 Line Powered Ringer c/w Projection Horn Waterproof Enclosure CSA Type 4X
 CE20 Line Powered Ringer w/o Projection Horn Enclosure Type - not specified
 Temperature -40° to +140°F (-40° to +60°C)
 Humidity 0 - 95% RH Non-Condensing

COMPLIANCE

CE20 c/w Projection Horn – P7021

CSA 158194 UL File #: E214408
 Class 1, Div. 1 Groups B, C, & D; Class 1, Div. 1 Groups B, C, & D;
 Class I, Zone 1, Group IIB +H2; Class I, Zone 1, Group IIB +H2;
 Class II Div 1, Groups E, F & G; Class III; T5

CE20 w/o Projection Horn – P7020

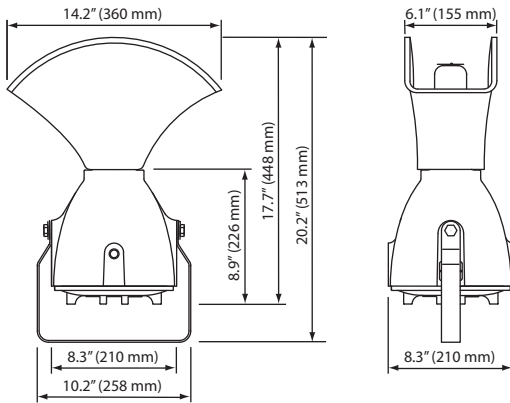
CSA 158194 UL File #: E214408
 Class 1, Div. 1 Groups B, C, & D; Class 1, Div. 1 Groups B, C, & D;
 Class I, Zone 1, Group IIB +H2; Class I, Zone 1, Group IIB +H2;
 Class II Div 2, Groups F & G; Class III; T5

ORDERING INFORMATION

Warranty: One year parts and labor

Order Number	Description
P7020	CE20 Line Powered Ringer
P7021	CE20 Line Powered Ringer c/w Projection Horn

OVERALL DIMENSIONS & ENGINEERING SPECIFICATIONS SR40/SR60 Explosion Proof Speaker, Ringer, Speaker/Ringer



PERFORMANCE AS A SPEAKER

Frequency Response 250 - 7500 Hz
 Power Rating
 SR40 70V 30 W max
 SR40 70V and ringer 15 W max
 SR40 16 Ohm 40 W max
 SR60 70V 60 W max
 SR60 16 Ohm 60 W max
 Sound pressure level (SPL) 110 dB at 1 meter max

MECHANICAL SPECIFICATIONS

Body Construction Copper Free Cast Aluminum And Powder Coated
 Flame Arrestor Sintered Bronze
 Projection Horn ABS
 Net Weight 20.0 lbs (9.0 kg)
 Shipping Weight 22.0 lbs (10.0 kg)
 Shipping Dimensions (L x W x D) 12.0" x 12.0" x 16.0" (305 x 305 x 407 mm)

ELECTRICAL

Input Voltage/fuse Rating 12VAC/1A, 24VAC/.75A, 120VAC/.5A or 230VAC/.25A
 Duty Cycle 50%

ENVIRONMENTAL

With Horn Waterproof Enclosure CSA Type 4X
 Without Horn Enclosure Type 3R
 Temperature -40° to +140°F (-40° to +60°C)
 Humidity 0 - 95% RH Non-Condensing
 Dust Resistant Gasketted & Threaded Joints

COMPLIANCE

CSA 158194 UL File #: E165888
 Class 1, Div. 1 Groups B, C, & D; Class 1, Div. 1 Groups B, C, & D;
 Class I, Zone 1, Group IIB +H2; Class I, Zone 1, Group IIB +H2;
 Class II Div 1, Groups E, F & G; Class III T6 (Exception T4 on 120 VAC & 230 VAC Models)
 SR40 - T5; SR60 - T3C

ORDERING INFORMATION

Warranty: One year parts and labor

Order Number	Description
P7240	SR40, 24V Ringer
P7241	SR40, 24V 15 Watt Paging Speaker/Ringer
P7243	SR40, 230V Ringer
P7244	SR40, 230V, 15 Watt Paging Speaker/Ringer
P7245	SR40, 30 Watt 70V Paging Speaker
P7246	SR40, 30 Watt, 70V Paging Speaker with D.C. Filter Circuit for monitoring line integrity
P7247	SR40, 30 Watt, 16 Ohm Paging Speaker
P7248	SR40, 12V Ringer
P7249	SR40, 12V, 15 Watt Paging Speaker/Ringer
P7250	SR40, 120V Ringer
P7251	SR40, 120V, 15 Watt Paging Speaker/Ringer
P7260	SR60, 60 watt, 70V Paging Speaker
P7262	SR60, 60 watt, 16 Ohm Paging Speaker

Guardian
 Telecom Inc.
 7552 - 10th Street N.E., Calgary, Alberta, Canada T2E 8W1
 Telephone: 403 258-3100 Facsimile: 403 253-4967
 1-800-363-8010 (North America)
 info@guardiantele.com
 www.guardiantele.com
 ISO 9001 Today's Quality Creates Our Future

Guardian pursues a policy of continuous improvement, therefore specifications are subject to change without notice.

Distributed by:

Sold by:

 http://www.TWAcomm.com
 Toll Free: (877) 389-0000