

# Explosion Proof Ringers & Speakers

## FEATURES and BENEFITS

### CE20 Line Powered Explosion Proof Ringer

- Sound pressure level at one meter, on axis - up to 86 dB without horn (Up to 97 dB with horn)
- Threaded, weather proof enclosure
- Projection horn
- Copper-free aluminum body and cover
- Sintered bronze flame arrestor

### SR40/SR60 Explosion Proof Speaker, Ringer, & Speaker/Ringer

- Mounting allows directional adjustments
- Projection horn included
- Powder coated cast aluminum enclosure
- User selectable output power taps
- Threaded end cap for easy installation

## APPLICATIONS

These telephones are designed for use in locations with the highest hazardous area classifications such as:

- Petroleum Refineries
- Power Generation Facilities
- Grain Handling Facilities
- Bulk Fuel Loading Facilities
- Paint or Solvent Manufacturing Plants
- Munitions Storage and Production
- Chemical Plants
- Drilling Rigs
- Gas Plants
- Mines
- Aerospace Sites
- and more . . .

## INSTALLATION and CONNECTABILITY

### CE20 Line Powered Explosion Proof Ringer

Guardian's CE20 Explosion Proof Ringer utilizes telephone line power, and does not require a separate power source. Maintaining safety standards may require the use of special wiring conduits or other considerations. The CE20 can be ordered separately or as part of an integrated system.

### SR40/SR60 Explosion Proof Speaker, Ringer, & Speaker/Ringer

Guardian's SR40 and SR60 Explosion Proof units generate up to 110 dB. The SR40 can be ordered in ringer configurations of 12/24 or 120/230 volts AC and as a combination ringer/speaker. The SR60 is a 60 watt speaker used in high powered applications. Maintaining safety standards may require the use of special wiring conduits or other considerations.



CE20 Ringer

CE20 Ringer with Horn

SR40/SR60

Guardian's CE20 Explosion Proof Ringer is designed for use indoors and outdoors in hazardous areas where flammable gases, vapors or dust may be present.

Guardian's SR40 Explosion Proof unit can be set-up as a loud speaker for paging applications, loud ringer to signal incoming phone calls, or both functions can be combined in one device.

Guardian's SR60 Explosion Proof unit is a high power paging speaker.

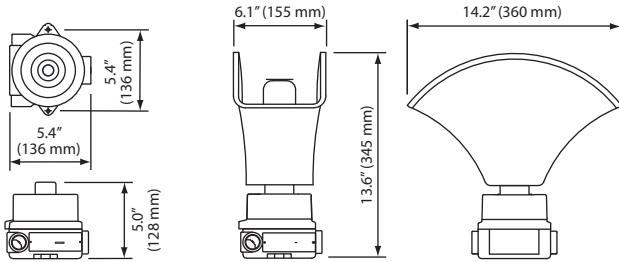
**Guardian**  
Telecom Inc.

ISO 9001 Today's Quality Creates Our Future

Sold by:

TWAcomm.com  
<http://www.TWAcomm.com>  
Toll Free: (877) 389-0000

OVERALL DIMENSIONS & ENGINEERING SPECIFICATIONS CE20 Line Powered Explosion Proof Ringer



**ELECTRICAL REQUIREMENTS - Line Powered**

Ringer Sensitivity 40 - 100 V, 16 - 25 Hz  
 Ringer Equivalence Number 04.A/0.8B

**ELECTRICAL PERFORMANCE**

CE20 Line Powered Ringer c/w Projection Horn 97 +/- 3 dB  
 CE20 Line Powered Ringer w/o Projection Horn 86 +/- 3 dB

**MECHANICAL SPECIFICATIONS**

Body Construction Copper Free Cast Aluminum Cover and Base With Epoxy Powder Coat  
 Flame Arrestor Sintered Bronze  
 W/O Projection Horn  
 Net Weight 3.5 lbs ( 1.6 kg)  
 Shipping Weight 4.0 lbs ( 1.68 kg)  
 Shipping Dimensions ( L x W x D ) 9.0" x 6.0" x 5.5" ( 229 x 153 x 140 mm)  
 C/W Projection Horn  
 Net Weight 6.0 lbs ( 2.7 kg)  
 Shipping Weight 7.5 lbs ( 3.4 kg)  
 Shipping Dimensions ( L x W x D ) 16.0" x 10.5" x 9.5" ( 407 x 267 x 242 mm)

**ENVIRONMENTAL**

CE20 Line Powered Ringer c/w Projection Horn Waterproof Enclosure CSA Type 4X  
 CE20 Line Powered Ringer w/o Projection Horn Enclosure Type - not specified  
 Temperature -40° to +140°F ( -40° to +60°C)  
 Humidity 0 - 95% RH Non-Condensing

**COMPLIANCE**

**CE20 c/w Projection Horn – P7021**

CSA 158194 UL File #: E214408  
 Class 1, Div. 1 Groups B, C, & D; Class I, Zone 1, Group IIB +H2; Class II Div 1, Groups E, F & G; Class III; T5

**CE20 w/o Projection Horn – P7020**

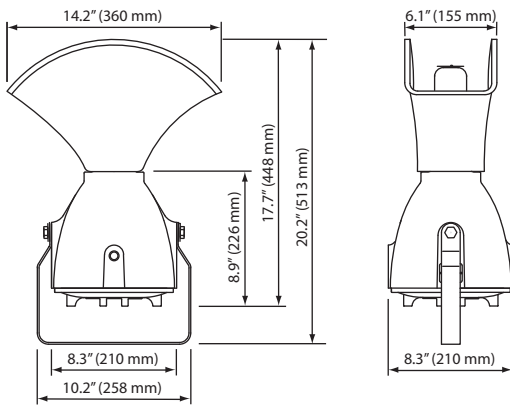
CSA 158194 UL File #: E214408  
 Class 1, Div. 1 Groups B, C, & D; Class I, Zone 1, Group IIB +H2; Class II Div 2, Groups F & G; Class III; T5

**ORDERING INFORMATION**

Warranty: One year parts and labor

Order Number	Description
P7020	CE20 Line Powered Ringer
P7021	CE20 Line Powered Ringer c/w Projection Horn

OVERALL DIMENSIONS & ENGINEERING SPECIFICATIONS SR40/SR60 Explosion Proof Speaker, Ringer, Speaker/Ringer



**PERFORMANCE AS A SPEAKER**

Frequency Response 250 - 7500 Hz  
 Power Rating  
 SR40 70V 30 W max  
 SR40 70V and ringer 15 W max  
 SR40 16 Ohm 40 W max  
 SR60 70V 60 W max  
 SR60 16 Ohm 60 W max  
 Sound pressure level (SPL) 110 dB at 1 meter max

**MECHANICAL SPECIFICATIONS**

Body Construction Copper Free Cast Aluminum And Powder Coated  
 Flame Arrestor Sintered Bronze  
 Projection Horn ABS  
 Net Weight 20.0 lbs ( 9.0 kg)  
 Shipping Weight 22.0 lbs ( 10.0 kg)  
 Shipping Dimensions ( L x W x D ) 12.0" x 12.0" x 16.0" ( 305 x 305 x 407 mm)

**ELECTRICAL**

Input Voltage/fuse Rating 12VAC/1A, 24VAC/.75A, 120VAC/.5A or 230VAC/.25A  
 Duty Cycle 50%

**ENVIRONMENTAL**

With Horn Waterproof Enclosure CSA Type 4X  
 Without Horn Enclosure Type 3R  
 Temperature -40° to +140°F ( -40° to +60°C)  
 Humidity 0 - 95% RH Non-Condensing  
 Dust Resistant Gasketted & Threaded Joints

**COMPLIANCE**

CSA 158194 UL File #: E165888  
 Class 1, Div. 1 Groups B, C, & D; Class I, Zone 1, Group IIB +H2; Class II Div 1, Groups E, F & G; Class III T6 (Exception T4 on 120 VAC & 230 VAC Models)  
 SR40 - T5; SR60 - T3C

**ORDERING INFORMATION**

Warranty: One year parts and labor

Order Number	Description
P7240	SR40, 24V Ringer
P7241	SR40, 24V 15 Watt Paging Speaker/Ringer
P7243	SR40, 230V Ringer
P7244	SR40, 230V, 15 Watt Paging Speaker/Ringer
P7245	SR40, 30 Watt 70V Paging Speaker
P7246	SR40, 30 Watt, 70V Paging Speaker with D.C. Filter Circuit for monitoring line integrity
P7247	SR40, 30 Watt, 16 Ohm Paging Speaker
P7248	SR40, 12V Ringer
P7249	SR40, 12V, 15 Watt Paging Speaker/Ringer
P7250	SR40, 120V Ringer
P7251	SR40, 120V, 15 Watt Paging Speaker/Ringer
P7260	SR60, 60 watt, 70V Paging Speaker
P7262	SR60, 60 watt, 16 Ohm Paging Speaker

**Guardian**  
 Telecom Inc.  
 7552 - 10th Street N.E., Calgary, Alberta, Canada T2E 8W1  
 Telephone: 403 258-3100 Facsimile: 403 253-4967  
 1-800-363-8010 (North America)  
 info@guardiantele.com  
 www.guardiantele.com  
 ISO 9001 Today's Quality Creates Our Future

Guardian pursues a policy of continuous improvement, therefore specifications are subject to change without notice.

Distributed by:

