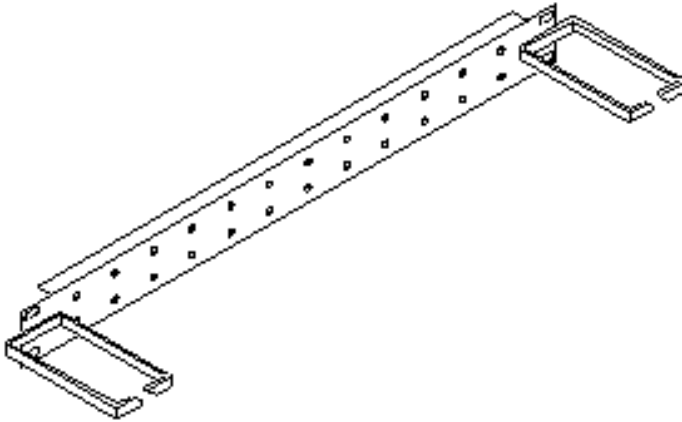


Patch Cord Organizer



Features

- 19" rack mounted cable management plate
- Creates horizontal and vertical pathways for cable management
- Rounded edges of cable rings protect cables

Specifications

- 16 gauge all steel construction
- Available in black powder coated finish

Ordering Information

SWE716-1 Patch Cord Organizer
1.75" x 3.75" inside vertical ring
dimension
(1 rack space)

Note: 1 rack space is 1¾ inches high

Technical Drawing:

[SWE716-1](#)

Photo:

[SWE716-1](#)

Copyright © 2004 Southwest Data Products

